

Harvia Family

HARVIA

Solid wood sauna

Instructions for installation

Item no.

FAMILY-S

166 x 159 x 204 cm

FAMILY-M

196 x 159 x 204 cm

FAMILY-L

196 x 189 x 204 cm

EN

DE

FR

IT

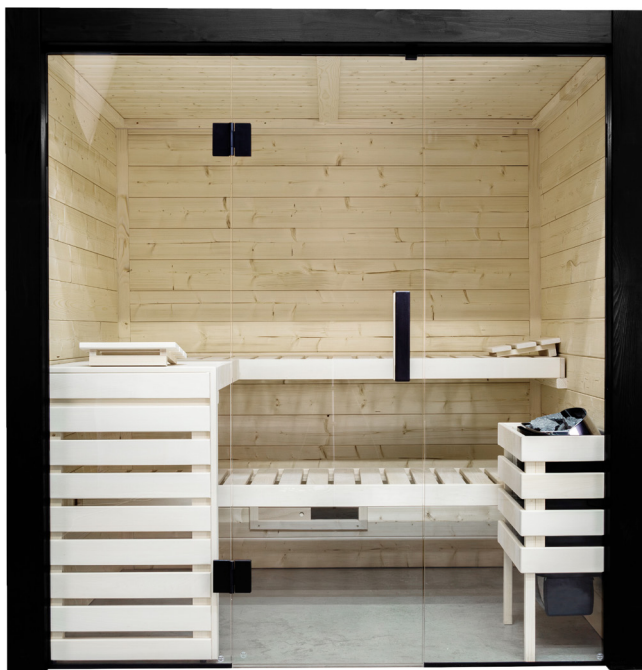


Table of Contents

1. Preparing for installation	3
1.1. Important note	3
1.2. Tools required	4
1.3. Maintenance and cleaning	5
1.4. Disposal	5
2. Parts list for Family Small	6
3. Parts list for Family Medium	8
4. Parts list for Family Large	10
5. Floor plan for Family Small	12
5.1. Floor plan Small “left”	12
5.2. Floor plan Small “right”	12
6. Floor plan for Family Medium	13
6.1. Floor plan Medium “left”	13
6.2. Floor plan Medium “right”	13
7. Floor plan for Family Large	14
7.1. Floor plan Large “left”	14
7.2. Floor plan Large “right”	14
8. Assembling the cabin	15
8.1. Installing wall elements	15
8.2. Assembling the glass elements	15
8.3. Completing the cabin exterior	16
8.4. Roof installation	16
8.5. Installing interior fittings	16
8.6. Installing the electrical equipment	16
8.7. Installing the glass door	17
8.8. Installing accessories	17
Installation illustrations (after last language)	18

1. Preparing for installation

Read these assembly instructions carefully and keep them within reach when using the sauna so that you can look up product information at any time.



These installation instructions can also be found in the downloads section of our website: www.mediabank.harvia.com.

1.1. Important note

- Before you begin work, check the parts list to ensure that all the individual parts have been delivered. If you discover any missing parts, notify your dealer within 14 days of receiving the sauna cabin.
- The room that the sauna is installed in must be dry and ensure an appropriate amount of air circulation.
- The floor must be level and even, preferably a stone or tiled floor.
- A minimum cabin height of 230 cm is required for the cabin installation work.
- A distance of at least 5 cm from the wall must be maintained.
- The inside of the wooden parts used must not be handled with any impregnating material.
- Wood is a natural product that can swell, shrink or warp, despite good storage. For this reason, some force may be necessary during the installation.
- Air circulation in the sauna cabin is crucial for correct function. Please observe the dimensions for the air intake and outlet vents specified by the manufacturer of the sauna heater. If necessary, cut a rectangular cutout into the base frame before installation; holes can also be made later using a drill.
- You will need good manual skills and an assistant for the installation.
- All screw fittings must be pre-drilled.

Attention!

The electrical connection may only be performed by a qualified electrician or similarly qualified person.

1.2. Tools required

- Hammer with a wooden head or a mallet
- Cordless screwdriver with bits for cross-head screws and Torx
- Roller tape measure
- Drill bits with a diameter of 3 mm, 10 mm, 20 - 30 mm (for sauna heater power cable)
- Spirit level
- 1.5 mm hexagonal socket wrench
- Utility knife
- Ladder



This symbol indicates tips and useful information



Back-to-front assembly

EN



Pre-drill



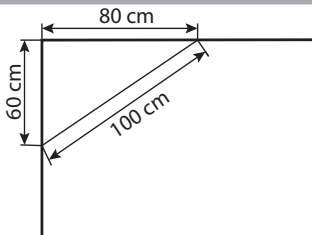
Carry out wiring



Cut to real measurement with saw

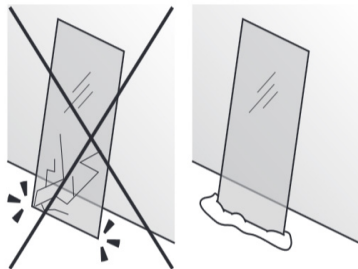


Check the right angle:





Handle glass with care: Special care must be taken with the edges of the glass – hardened glass can shatter into small pieces in the event of impact. Insert protective cushioning (e.g: cardboard box) under the edge of the glass.



1.3. Maintenance and cleaning

- The sauna should be cleaned inside with a damp cloth. Use warm water only - if required, we recommend Harvia Sauna Cleaner (SAC25040 - Cleaning and disinfection)
- If the sauna will not be used for an extended period, we recommend heating the cabin once a month to prevent the formation of mould.



Pitch pockets are not grounds for return, since they can always appear in spruce wood and the depth at which they lie cannot be detected during the sorting-out process.

If these are just under the surface, heat can cause them to soften and “bleed”.

The leaking pitch can be removed with a rag soaked in acetone. If only droplets of pitch occur, allow these to harden and then carefully scrape them off with a knife.

1.4. Disposal



- Dispose of packaging materials in accordance with the applicable waste disposal regulations.
- Used devices contain reusable materials as well as hazardous substances. Therefore, do not dispose of your used device with household waste, but do so in accordance with the locally applicable regulations.

2. Parts list for Family Small

No. of items	Name	Dimensions (cm)
Wall elements		
1	Wall element, bottom right - Electrical element	154.5x102x4
1	Wall element, top right - Electrical element	154.5x108x4
1	Wall element, bottom rear - Ventilation element	154.5x102x4
1	Wall element, top rear	154.5x108x4
1	Wall element, bottom left - Electrical element	154.5x102x4
1	Wall element, top left - Electrical element	154.5x108x4
1	Element above door, black	142.5x12.1x4
1	Element with groove for glass, right, black	202.5x6x4
1	Element with groove for glass, left, black	202.5x6x4
1	Mounting rail above door, black	59.7x1.8x0.8
2	Cover, front, black	202.5x11.5x4
1	Cover, top front, black	142.5x10.6x4
Roof elements		
2	Roof element	146.7x76.8x5.6
Glass elements		
1	Glass door	190x59x0.8
1	Glass element with holes for door hinges	193x58x0.8
1	Glass element	193x27.5x0.8
Support slats		
3	Bench support slats	57x4x4
2	Bench support slats	97x4x4
2	Roof support slats	138.5x4x4
1	Roof support slat	154.5x4x4
1	Roof support slat with LED	154.5x4x4
4	Cover slats, outside corners	202.5x8x1.5
2	Cover slats, outside, top	138.5x8x1.5
1	Cover slat, inside, top	145.5x8x1.5

No. of items	Name	Dimensions (cm)
Interior fittings		
1	Bench	153.5x57x8
1	Bench	153.5x50x8
1	Bench	74x57x8
1	Bench foot	57x94x6
1	Heater protection grille	39x73x5
2	Heater protection grille	30x43x5
Accessories		
1	Headrest	30x28x7
1	Door handle set lime wood/black wood	
1	LED RGBW - integrated into roof support slat	154.5x2.1x1.7
1	LED technology 40W (white)	LED set 230V S/D 40W
1	4 linear m silicone cable 5x2.5mm ²	
1	Cable cover slat	200x4x3
1	Ventilation slit	56x14x1.5
1	Door magnet, sleeve plate, black	
2	Door hinges 8652-05, black	
1	Aluminium U-profile, black	56.7
1	Aluminium U-profile, black	26.2
1	Installation material set	
1	Assembly instructions	

3. Parts list for Family Medium

No. of items	Name	Dimensions (cm)
Wall elements		
1	Wall element, bottom right - Electrical element	154.5x102x4
1	Wall element, top right - Electrical element	154.5x108x4
1	Wall element, bottom rear - Ventilation element	185x102x4
1	Wall element, top rear	185x108x4
1	Wall element, bottom left - Electrical element	154.5x102x4
1	Wall element, top left - Electrical element	154.5x108x4
1	Element above door, black	173x12.1x4
1	Element with groove for glass, right, black	202.5x6x4
1	Element with groove for glass, left, black	202.5x6x4
1	Mounting rail above door, black	59.7x1.8x0.8
2	Cover, front, black	202.5x11.5x4
1	Cover, top front, black	175x10.6x4
Roof elements		
2	Roof element	146.7x92x5.6
Glass elements		
1	Glass door	190x59x0.8
1	Glass element with holes for door hinges	193x58x0.8
1	Glass element	193x58x0.8
Support slats		
3	Bench support slats	57x4x4
2	Bench support slats	88.5x4x4
2	Roof support slats	138.5x4x4
1	Roof support slat	185x4x4
1	Roof support slat with LED	185x4x4
4	Cover slats, outside corners	202.5x8x1.5
2	Cover slats, outside, top	138.5x8x1.5
1	Cover slat, inside, top	145.5x8x1.5

No. of items	Name	Dimensions (cm)
Interior fittings		
1	Bench	184x57x8
1	Bench	184x50x8
1	Bench	82.5x57x8
1	Bench foot	57x94x6
1	Heater protection grille	50x73x5
2	Heater protection grille	32.2x43x5
Accessories		
1	Headrest	30x28x7
1	Door handle set lime wood/black wood	
1	LED RGBW - integrated into roof support slat	185x2.1x1.7
1	LED technology 40W (white)	LED set 230V S/D 40W
1	4 linear m silicone cable 5x2.5mm ²	
1	Cable cover slat	200x4x3
1	Ventilation slit	56x14x1.5
1	Door magnet, sleeve plate, black	
2	Door hinges 8652-05, black	
2	Aluminium U-profile, black	56.7
1	Installation material set	
1	Assembly instructions	

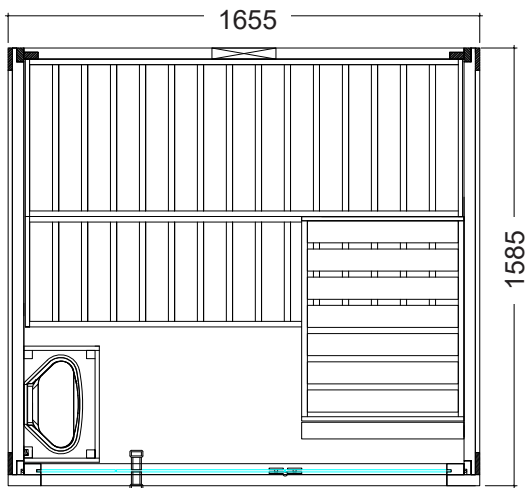
4. Parts list for Family Large

No. of items	Name	Dimensions (cm)
Wall elements		
1	Wall element, bottom right - Electrical element	185x102x4
1	Wall element, top right - Electrical element	185x108x4
1	Wall element, bottom rear - Ventilation element	185x102x4
1	Wall element, top rear	185x108x4
1	Wall element, bottom left - Electrical element	185x102x4
1	Wall element, top left - Electrical element	185x108x4
1	Element above door, black	173x12.1x4
1	Element with groove for glass, right, black	202.5x6x4
1	Element with groove for glass, left, black	202.5x6x4
1	Mounting rail above door, black	59.7x1.8x0.8
2	Cover, front, black	202.5x11.5x4
1	Cover, top front, black	175x10.6x4
Roof elements		
2	Roof elements	177.2x92x5.6
Glass elements		
1	Glass door	190x59x0.8
1	Glass element with holes for door hinges	193x58x0.8
1	Glass element	193x58x0.8
Support slats		
3	Bench support slats	57x4x4
2	Bench support slats	114x4x4
2	Roof support slats	169x4x4
1	Roof support slat	185x4x4
1	Roof support slat with LED	185x4x4
4	Cover slats, outside corners	202.5x8x1.5
2	Cover slats, outside, top	169x8x1.5
1	Cover slat, inside, top	176x8x1.5

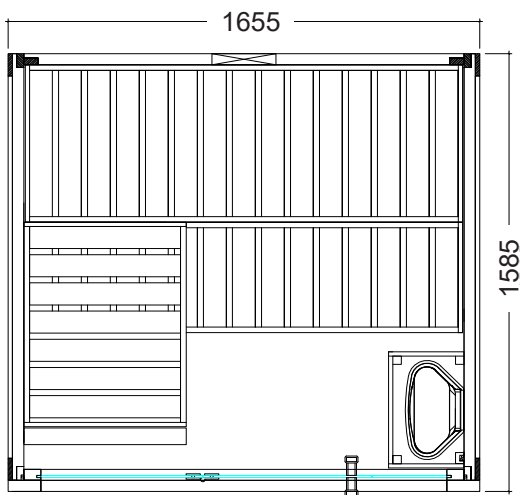
No. of Name items		Dimensions (cm)
Interior fittings		
2	Benches	184x57x8
1	Bench	113x57x8
1	Bench foot	57x94x6
1	Heater protection grille	50x73x5
2	Heater protection grille	32.2x43x5
Accessories		
1	Headrest	30x28x7
1	Door handle set lime wood/black wood	
1	LED RGBW - integrated into roof support slat	185x2.1x1.7
1	LED technology 40W (white)	LED set 230V S/D 40W
1	4 linear m silicone cable 5x2.5mm ²	
1	Cable cover slat	200x4x3
1	Ventilation slit	56x14x1.5
1	Door magnet, sleeve plate, black	
2	Door hinges 8652-05, black	
2	Aluminium U-profile, black	56.7
1	Installation material set	
1	Assembly instructions	

5. Floor plan for Family Small

5.1. Floor plan Small “left”

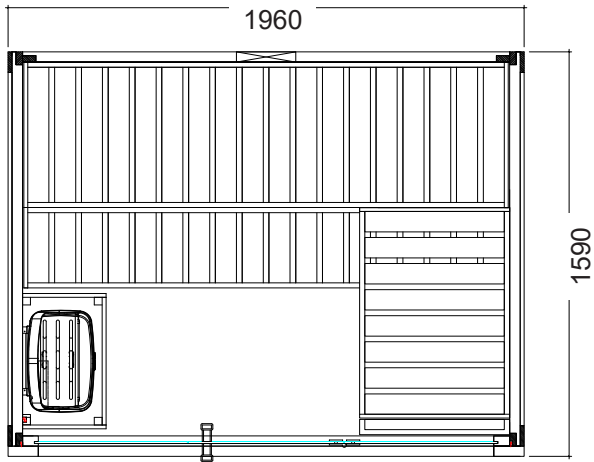


5.2. Floor plan Small “right”



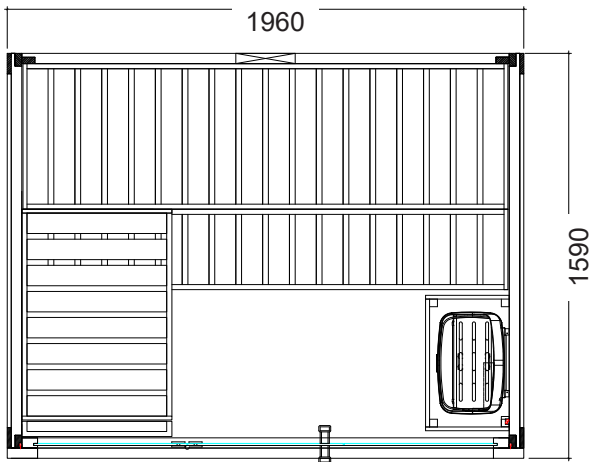
6. Floor plan for Family Medium

6.1. Floor plan Medium “left”



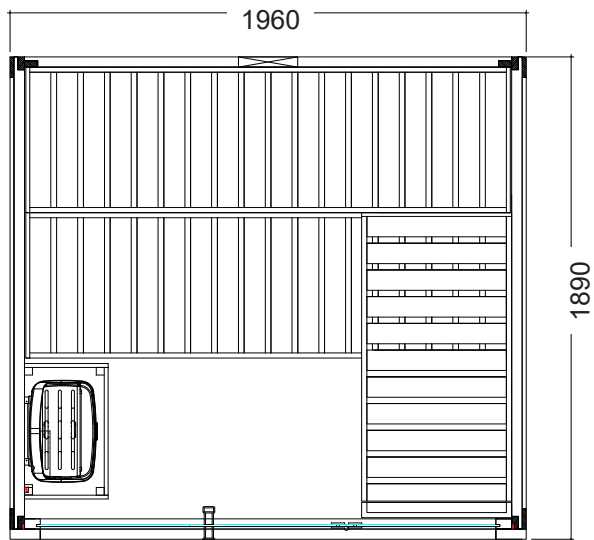
EN

6.2. Floor plan Medium “right”

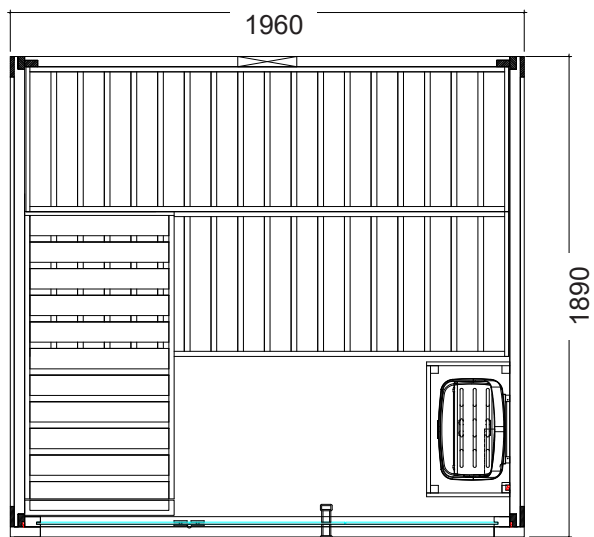


7. Floor plan for Family Large

7.1. Floor plan Large “left”



7.2. Floor plan Large “right”



8. Assembling the cabin



ATTENTION!

The cabin is designed for both “right-hand” and “left-hand” assembly. Please observe the floor plans on pages 10 and 11, depending on model.

Observe the figures starting on page 15.

8.1. Installing wall elements

Start assembly with the “Wall element, bottom rear - Ventilation element” and the “Element, bottom right”. The lower parts can be identified by the projecting connecting strips. Screw the elements at a right angle (see tip on page 4) from outside. Repeat this with the left side wall. The rear wall is thus installed between the side walls.

When assembling the upper sections, again start with the rear wall (Element, top rear). Make sure this is flush with the connecting strip of the lower rear wall. Screw both sides of the upper rear wall to the projecting strip of the lower rear wall. Screw the upper wall elements together.



Note that each upper wall element must be screwed to the protruding strip of the lower wall element.

EN

8.2. Assembling the glass elements

Screw the “Elements with groove for glass” to the side walls from outside. Fit the “Element above door” and additionally screw in from above.

Fit the aluminium U-profiles flush with the glass elements.



Please note that when you install the “glass element with holes for door hinges”, you are defining the direction in which the door opens (see option 1 and 2).

Position the glass element centrally in the door frame, paying attention to straight alignment and the position of the struts. Slide the glass element to the left or right, respectively, into the groove in the corner posts.

Insert the “Mounting rail above door” between the glass elements.

8.3. Completing the cabin exterior

Install the “Covers, front” by screwing from the inside - flush with the inner side.
Install the “Cover, top front” above the glass by screwing from the inside.

Mount the “Cover slats, outside” using screws.

8.4. Roof installation

Install the roof support slats. Start with the strip of LEDs on the rear wall.

Insert the roof elements and screw them to the cabin walls. Observe the cable outlets.

Install the cover slat, inside.

8.5. Installing interior fittings

Mount the ventilation slide.

Install the bench support slats.

Place the upper and lower benches on the bench support slats provided for this purpose.

EN

Screw the bench foot to the upper angled bench and screw the other end of this to the rear upper bench. Finally, screw the bench foot to the wall element.

8.6. Installing the electrical equipment

You need a hole measuring $\varnothing 2$ cm in the cable shaft for the heater supply cable. Drill the cable outlet at a right angle and route the cable as far as the roof to the power unit



Observe the operating instructions for your sauna heater and sauna control unit.

er unit
for the sauna control (5 x 2.5 mm²).

Repeat for the heater sensor - $\varnothing 1$ cm - 15 cm below the ceiling.

To cover the cables, use the cable cover slat. Shorten them with a saw as required.

Route the data cable for the control panel up to the cabin roof, to the power unit for the sauna control.

8.7. Installing the glass door

Screw the two door fittings onto the glass element, making sure that they are straight and that the doors open outward.



The alignment of the fittings is achieved by adjusting / rotating both plastic inserts.

8.8. Installing accessories

The door handles are screwed together from the inside.

Fit the door magnet and sleeve plate. There are mounting holes under the seal for the door magnet; the seal needs to be cut at the left or right depending on how the door opens.

Assemble the protection grille.

Install the cable cover slat as required.

Harvia Family

HARVIA

Massivsauna

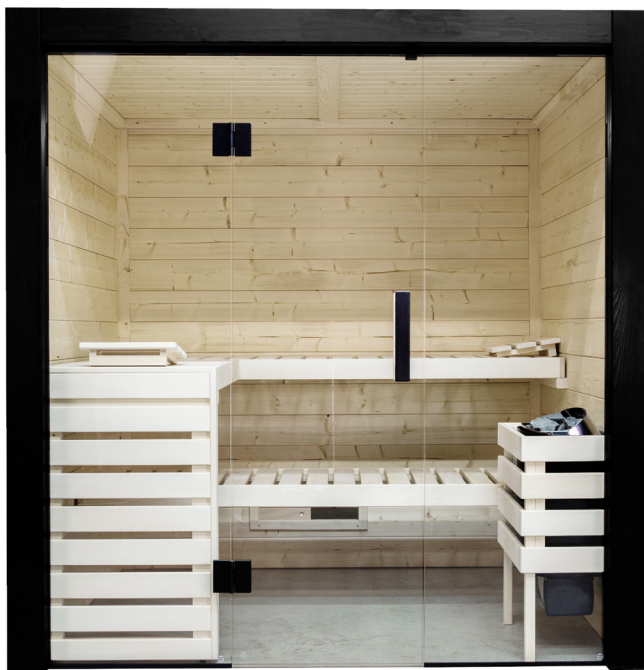
Montageanweisung

Artikel Nr.

FAMILY-S 166 x 159 x 204 cm

FAMILY-M 196 x 159 x 204 cm

FAMILY-L 196 x 189 x 204 cm



DE



Inhaltsverzeichnis

1. Montage Vorbereitung	3
1.1. Wichtige Hinweise	3
1.2. Benötigtes Werkzeug	4
1.3. Wartung und Reinigung	5
1.4. Entsorgung	5
2. Stückliste Family Small	6
3. Stückliste Family Medium	8
4. Stückliste Family Large	10
5. Grundriss Family Small	12
5.1. Grundriss „Small links“	12
5.2. Grundriss „Small rechts“	12
6. Grundriss Family Medium	13
6.1. Grundriss „Medium links“	13
6.2. Grundriss „Medium rechts“	13
7. Grundriss Family Large	14
7.1. Grundriss „Large links“	14
7.2. Grundriss „Large rechts“	14
8. Montage Kabine	15
8.1. Montage Wandelemente	15
8.2. Montage Glaselemente	15
8.3. Fertigstellung Kabine außen	16
8.4. Montage Dach	16
8.5. Montage Inneneinrichtung	16
8.6. Montage Elektrogeräte	16
8.7. Montage Glastür	17
8.8. Montage Zubehör	17
Montage Abbildungen (nach der letzten Sprache)	18

1. Montage Vorbereitung

Lesen Sie diese Montageanleitung gut durch und bewahren Sie sie in der Nähe der Sauna auf. So können Sie jederzeit Produktinformationen nachlesen.



Sie finden diese Montageanleitung auch im Downloadbereich unserer Webseite auf www.mediabank.harvia.com.

1.1. Wichtige Hinweise

- Kontrollieren Sie, bevor Sie mit der Arbeit beginnen, anhand der Stückliste, ob alle Einzelteile auch tatsächlich mitgeliefert wurden. Sollten Einzelteile ausnahmsweise fehlen, benachrichtigen Sie spätestens 14 Tage nach Erhalt der Kabine Ihren Händler.
- Der Raum, in dem die Saunakabine montiert wird, muss trocken sein und eine entsprechende Luftzirkulation gewährleisten.
- Der Fußboden muss waagrecht und eben sein, bevorzugt Stein- oder Fliesenboden.
- Für die Montagearbeiten der Kabine wird eine Mindestraumhöhe von 230 cm benötigt.
- Es muss ein Wandabstand von mindestens 5 cm eingehalten werden.
- Die Innen zu verwendenden Holzteile dürfen nicht mit Imprägniermittel behandelt werden.
- Holz ist ein Naturprodukt, das trotz guter Lagerung aufquellen, schwinden oder sich verziehen kann. Aus diesem Grund kann es vorkommen, dass bei der Montage etwas Kraft aufgebracht werden muss.
- Die Luftzirkulation in der Saunakabine ist entscheidend für die Funktionalität. Beachten Sie die Abmessungen der Zu- und Abluftöffnungen der Herstellerangaben des Saunaofens. Schneiden Sie ggf. vor der Montage einen rechteckigen Ausschnitt in den Bodenrahmen; Löcher mittels Bohrer sind auch nachträglich möglich.
- Für die Montage benötigen Sie handwerkliche Begabung und einen Helfer.
- Alle Verschraubungen müssen vorgebohrt werden.

DE

Achtung!

Der Elektroanschluss darf nur durch eine Elektrofachkraft oder eine vergleichsweise qualifizierte Person ausgeführt werden.

1.2. Benötigtes Werkzeug

- Hammer und Beilageholz oder einen Gummihammer
- Akkuschauber mit Bits für Kreuzschrauben und Torx
- Rollmaßband
- Bohrer mit Durchmesser 3 mm, 10 mm, 20 - 30 mm (für Stromkabel Saunaofen)
- Wasserwaage
- Innensechskant-Schlüssel 1,5 mm
- Universalmesser
- Leiter



Dieses Symbol kennzeichnet Tipps und nützliche Hinweise



gespiegelter Aufbau



Vorbohren



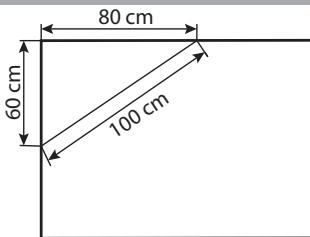
Verkabelung vornehmen



Ablängen auf Naturmaß mit Säge

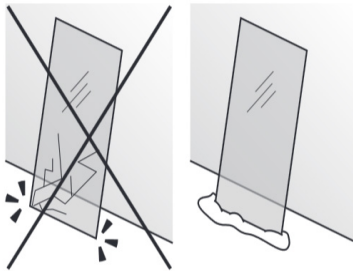


Überprüfung des rechten Winkel:





Vorsichtiger Umgang mit Glas: Besondere Vorsicht gilt den Glaskanten - Gehärtetes Glas kann bei Stößen in kleine Scherben zerspringen. Legen Sie ein Schutzpolster (z.Bsp.: Verpackungs-Karton) unter die Glaskante.



1.3. Wartung und Reinigung

- Die Sauna sollte mit einem feuchten Tuch gereinigt werden. Verwenden Sie nur warmes Wasser - bei Bedarf empfehlen wir den Harvia Sauna Cleaner (SAC25040 - Reinigung und Desinfektion)
- Wird die Sauna längere Zeit nicht benutzt, empfehlen wir, die Kabine einmal im Monat aufzuheizen, um Schimmelbildung vorzubeugen.

DE



Harzgallen sind kein Reklamationsgrund. Da in Fichtenholz immer wieder Harzgallen vorkommen und man beim Aussortieren nicht erkennen kann in welcher Tiefe diese sich befinden.

Wenn diese knapp unter der Oberfläche sind brechen sie bei Hitzeentwicklung auf und „bluten“ aus.

Das ausgelaufene Harz kann man mit einem Aceton gedrängtem Lappen entfernen. Wenn lediglich Harztropfen entstehen, lassen Sie diese aushärten und schaben sie anschließend mit einem Messer vorsichtig ab.

1.4. Entsorgung



- Entsorgen Sie die Verpackungsmaterialien nach den gültigen Entsorgungsrichtlinien.
- Altgeräte enthalten wiederverwendbare Materialien, aber auch schädliche Stoffe. Geben Sie Ihr Altgerät deshalb auf keinen Fall in den Restmüll, sondern entsorgen Sie das Gerät nach den örtlich geltenden Vorschriften.

2. Stückliste Family Small

Az	Bezeichnung	Maße (cm)
Wandelemente		
1	Wandelement rechts unten - Elektroelement	154,5x102x4
1	Wandelement rechts oben - Elektroelement	154,5x108x4
1	Wandelement hinten unten - Lüftungselement	154,5x102x4
1	Wandelement hinten oben	154,5x108x4
1	Wandelement links unten - Elektroelement	154,5x102x4
1	Wandelement links oben - Elektroelement	154,5x108x4
1	Element oberhalb Tür, schwarz	142,5x12,1x4
1	Element mit Nut für Glas rechts, schwarz	202,5x6x4
1	Element mit Nut für Glas links, schwarz	202,5x6x4
1	Element oberhalb Tür, schwarz	59,7x1,8x0,8
2	Abdeckung vorne, schwarz	202,5x11,5x4
1	Abdeckung vorne oben, schwarz	142,5x10,6x4
Dachelemente		
2	Dachelement	146,7x76,8x5,6
Glaselemente		
1	Glastür	190x59x0,8
1	Glaselement mit Bohrungen für Türbänder	193x58x0,8
1	Glaselement	193x27,5x0,8
Auflageleisten		
3	Bankauflageleisten	57x4x4
2	Bankauflageleisten	97x4x4
2	Dachauflageleisten	138,5x4x4
1	Dachauflageleisten	154,5x4x4
1	Dachauflageleisten mit LED	154,5x4x4
4	Abdeckleisten aussen Ecken	202,5x8x1,5
2	Abdeckleisten aussen oben	138,5x8x1,5
1	Abdeckleisten innen oben	145,5x8x1,5

Az	Bezeichnung	Maße (cm)
	Inneneinrichtung	
1	Bank	153,5x57x8
1	Bank	153,5x50x8
1	Bank	74x57x8
1	Bankfuß	57x94x6
1	Ofenschutzgitter	39x73x5
2	Ofenschutzgitter	30x43x5
	Zubehör	
1	Kopfstütze	30x28x7
1	Türgriff Set Holz Linde/Holz schwarz	
1	LED RGBW - eingebaut in Dachauflageleiste	154,5x2,1x1,7
1	LED Technik 40W (weiß)	LED-Set 230V S/D 40W
1	4 lfm Silikonkabel 5x2,5mm ²	
1	Kabelabdeckleisten	200x4x3
1	Lüftungsschieber	56x14x1,5
1	Türmagnet, Überschublech, schwarz	
2	Türbänder 8652-05, schwarz	
1	U-Alu Profil schwarz	56,7
1	U-Alu Profil schwarz	26,2
1	Montagematerialset	
1	Montageanleitung	

3. Stückliste Family Medium

Az	Bezeichnung	Maße (cm)
Wandelemente		
1	Wandelement rechts unten - Elektroelement	154,5x102x4
1	Wandelement rechts oben - Elektroelement	154,5x108x4
1	Wandelement hinten unten - Lüftungselement	185x102x4
1	Wandelement hinten oben	185x108x4
1	Wandelement links unten - Elektroelement	154,5x102x4
1	Wandelement links oben - Elektroelement	154,5x108x4
1	Element oberhalb Tür, schwarz	173x12,1x4
1	Element mit Nut für Glas rechts, schwarz	202,5x6x4
1	Element mit Nut für Glas links, schwarz	202,5x6x4
1	Element oberhalb Tür, schwarz	59,7x1,8x0,8
2	Abdeckung vorne, schwarz	202,5x11,5x4
1	Abdeckung vorne oben, schwarz	175x10,6x4
Dachelemente		
2	Dachelement	146,7x92x5,6
Glaselemente		
1	Glastür	190x59x0,8
1	Glaselement mit Bohrungen für Türbänder	193x58x0,8
1	Glaselement	193x58x0,8
Auflageleisten		
3	Bankauflageleisten	57x4x4
2	Bankauflageleisten	88,5x4x4
2	Dachauflageleisten	138,5x4x4
1	Dachauflageleisten	185x4x4
1	Dachauflageleisten mit LED	185x4x4
4	Abdeckleisten aussen Ecken	202,5x8x1,5
2	Abdeckleisten aussen oben	138,5x8x1,5
1	Abdeckleisten innen oben	145,5x8x1,5

Az	Bezeichnung	Maße (cm)
	Inneneinrichtung	
1	Bank	184x57x8
1	Bank	184x50x8
1	Bank	82,5x57x8
1	Bankfuß	57x94x6
1	Ofenschutzgitter	50x73x5
2	Ofenschutzgitter	32,2x43x5
	Zubehör	
1	Kopfstütze	30x28x7
1	Türgriff Set Holz Linde/Holz schwarz	
1	LED RGBW - eingebaut in Dachauflageleiste	185x2,1x1,7
1	LED Technik 40W (weiß)	LED-Set 230V S/D 40W
1	4 lfm Silikonkabel 5x2,5mm ²	
1	Kabelabdeckleisten	200x4x3
1	Lüftungsschieber	56x14x1,5
1	Türmagnet, Überschublech, schwarz	
2	Türbänder 8652-05, schwarz	
2	U-Alu Profil schwarz	56,7
1	Montagematerialset	
1	Montageanleitung	

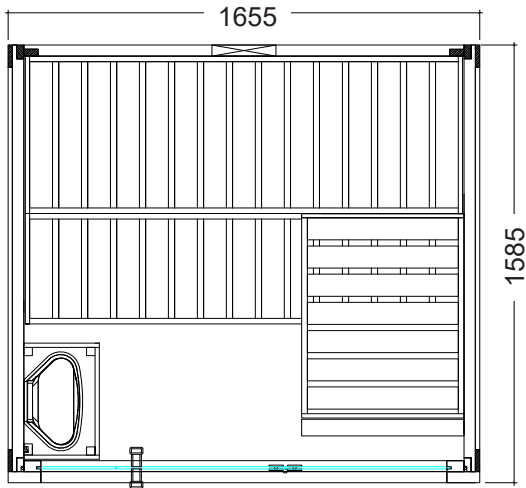
4. Stückliste Family Large

Az	Bezeichnung	Maße (cm)
Wandelemente		
1	Wandelement rechts unten - Elektroelement	185x102x4
1	Wandelement rechts oben - Elektroelement	185x108x4
1	Wandelement hinten unten - Lüftungselement	185x102x4
1	Wandelement hinten oben	185x108x4
1	Wandelement links unten - Elektroelement	185x102x4
1	Wandelement links oben - Elektroelement	185x108x4
1	Element oberhalb Tür, schwarz	173x12,1x4
1	Element mit Nut für Glas rechts, schwarz	202,5x6x4
1	Element mit Nut für Glas links, schwarz	202,5x6x4
1	Element oberhalb Tür, schwarz	59,7x1,8x0,8
2	Abdeckung vorne, schwarz	202,5x11,5x4
1	Abdeckung vorne oben, schwarz	175x10,6x4
Dachelemente		
2	Dachelement	177,2x92x5,6
Glaselemente		
1	Glastür	190x59x0,8
1	Glaselement mit Bohrungen für Türbänder	193x58x0,8
1	Glaselement	193x58x0,8
Auflageleisten		
3	Bankauflageleisten	57x4x4
2	Bankauflageleisten	114x4x4
2	Dachauflageleisten	169x4x4
1	Dachauflageleisten	185x4x4
1	Dachauflageleisten mit LED	185x4x4
4	Abdeckleisten aussen Ecken	202,5x8x1,5
2	Abdeckleisten aussen oben	169x8x1,5
1	Abdeckleisten innen oben	176x8x1,5

Az	Bezeichnung	Maße (cm)
Inneneinrichtung		
2	Bänke	184x57x8
1	Bank	113x57x8
1	Bankfuß	57x94x6
1	Ofenschutzgitter	50x73x5
2	Ofenschutzgitter	32,2x43x5
Zubehör		
1	Kopfstütze	30x28x7
1	Türgriff Set Holz Linde/Holz schwarz	
1	LED RGBW - eingebaut in Dachauflageleiste	185x2,1x1,7
1	LED Technik 40W (weiß)	LED-Set 230V S/D 40W
1	4 lfm Silikonkabel 5x2,5mm ²	
1	Kabelabdeckleisten	200x4x3
1	Lüftungsschieber	56x14x1,5
1	Türmagnet, Überschubblech, schwarz	
2	Türbänder 8652-05, schwarz	
2	U-Alu Profil schwarz	56,7
1	Montagematerialset	
1	Montageanleitung	

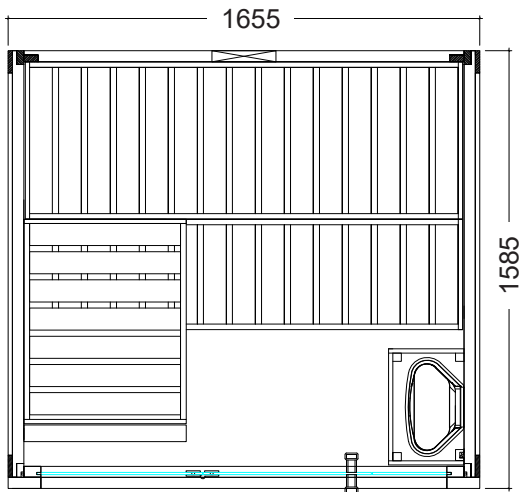
5. Grundriss Family Small

5.1. Grundriss „Small links“



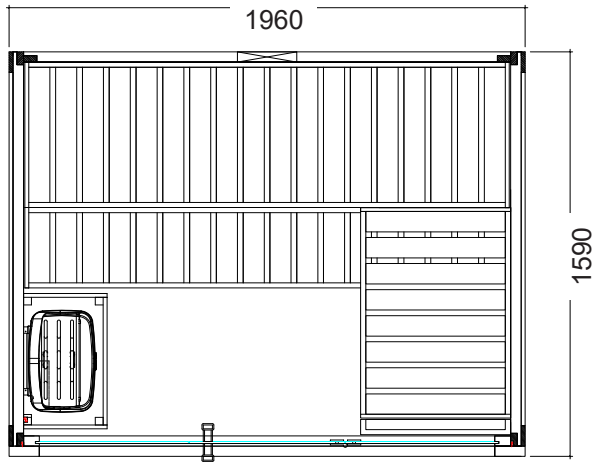
DE

5.2. Grundriss „Small rechts“



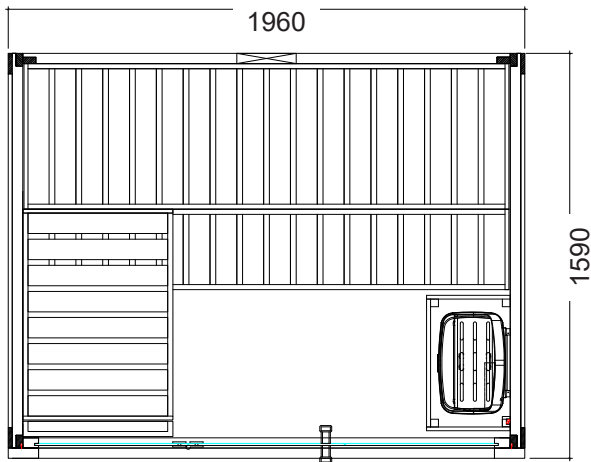
6. Grundriss Family Medium

6.1. Grundriss „Medium links“



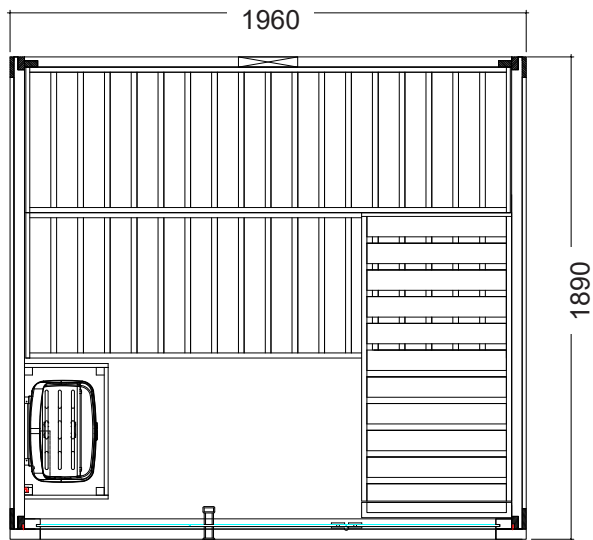
DE

6.2. Grundriss „Medium rechts“

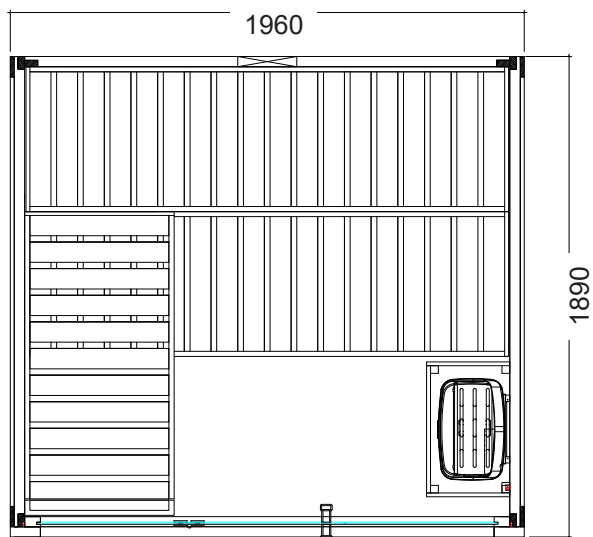


7. Grundriss Family Large

7.1. Grundriss „Large links“



7.2. Grundriss „Large rechts“



8. Montage Kabine



ACHTUNG!

Die Kabine kann „links“ oder „rechts“ aufgebaut werden, beachten Sie dazu die Grundrisspläne auf den Seiten 10 bis 11, je nach Modell.

Beachten Sie die Abbildungen ab Seite 15.

8.1. Montage Wandelemente

Beginnen Sie die Montage mit dem „Wandelement hinten unten - Lüftungselement“ und dem „Element rechts unten“. Die Unterteile sind durch die überstehenden Verbindungsleisten erkennbar. Verschrauben Sie die Elemente im rechten Winkel (siehe Tipp auf Seite 4) von außen. Wiederholen Sie dies mit der linken Seitenwand. Die Rückwand ist somit zwischen den Seitenwänden montiert.

Bei der Montage der Oberteile beginnen Sie wieder mit der Rückwand (Element hinten oben). Achten Sie auf den bündigen Abschluss mit der Verbindungsleiste der unteren Rückwand. Verschrauben Sie die obere Rückwand beidseitig mit der überstehenden Leiste der unteren Rückwand.

Verschrauben Sie die oberen Wandelemente miteinander.



Beachten Sie, dass das obere Wandelement jeweils mit der überstehenden Leiste des unteren Wandelements verschraubt sein muss.

DE

8.2. Montage Glaselemente

Verschrauben Sie die „Elemente mit Nut für Glas“ von außen mit den Seitenwänden. Montieren Sie das „Element oberhalb Tür“ und verschrauben es zusätzlich von oben.

Stecken Sie die Alu U-Profile bündig auf die Glaselemente.



Beachten Sie, dass Sie mit dem Einbau des „Glaselement mit Bohrungen für Türbänder“ die Richtung der Türöffnung festlegen (siehe Option 1 und 2).

Stellen Sie das Glaselement mittig in den Türrahmen, achten Sie auf eine gerade Ausrichtung und die Position der Stempel. Schieben die Glaselemente links bzw. rechts in die Nut der Ecksteher.

Montage der „Montageleiste oberhalb Tür“ zwischen den Glaselementen.

8.3. Fertigstellung Kabine außen

Montage der „Abdeckungen vorne“ durch verschrauben von innen - bündig mit der Innenseite.

Montage der „Abdeckung vorne oben“ über dem Glas durch verschrauben von innen.

Montage der „Abdeckleisten aussen“ durch verschrauben.

8.4. Montage Dach

Montage der Dachauflageleisten. Beginnen Sie mit der Leiste mit LED an der Rückwand.

Legen Sie die Dachelemente ein und verschrauben diese mit den Kabinenwänden. Beachten Sie die Kabelauslässe.

Montage der Abdeckleiste innen.

8.5. Montage Inneneinrichtung

Montage Lüftungsschieber.

Montage Bankauflageleisten.

DE

Legen Sie die obere und untere Bank auf die dafür vorgesehenen Bankauflageleisten.

Verschrauben Sie den Bankfuß mit der oberen Winkelbank und verschrauben Sie diese auf der anderen Seite mit der hinteren oberen Bank. Zuletzt verschrauben Sie den Bankfuß mit dem Wandelement.

8.6. Montage Elektrogeräte

Für die Ofenzuleitung benötigen Sie ein \varnothing 2 cm großes Loch in den Kabelschacht.



Beachten Sie die Bedienungsanleitung Ihres Saunaofens und der Saunasteuerung.

Bohren Sie im rechten Winkel den Kabelauslass und verlegen Sie das Kabel bis zur Saunasteuerung (5 x 2,5 mm²).

Wiederholen Sie dies für den Ofenfühler - \varnothing 1 cm - 15 cm unter der Decke.

Zum Verdecken der Kabel verwenden Sie die Kabelabdeckleiste. Kürzen Sie diese bei Bedarf mit einer Säge.

Verlegen Sie das Datenkabel für das Bedienteil bis aufs Dach zum Leistungsteil der Saunasteuerung.

8.7. Montage Glastür

Schrauben Sie die beiden Türbeschläge am Fix-Glaselement fest, achten sie dabei auf die gerade Ausrichtung der Beschläge und darauf, dass die Öffnung der Türe nach außen erfolgt.



Die Ausrichtung der Beschläge wird durch die Justierung / Drehung der beiden Kunststoffeinlagen vorgenommen.

8.8. Montage Zubehör

Die Türgriffe werden von innen miteinander verschraubt.

Montage von Türmagnet und Überschubblech. Für den Türmagnet sind unter der Dichtung Montagebohrungen vorhanden, je nach Türöffnung muss die Dichtung ausgeschnitten werden.

Montage Ofenschutzgitter.

Harvia Family

HARVIA

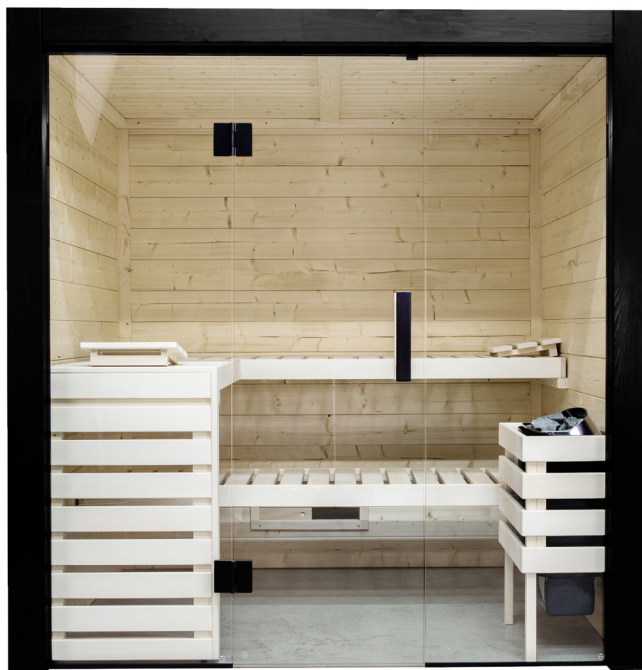
Sauna en bois massif Instructions de montage

Réf..

FAMILY-S 166 x 159 x 204 cm

FAMILY-M 196 x 159 x 204 cm

FAMILY-L 196 x 189 x 204 cm



FR



Table des matières

1. Préparation du montage	3
1.1. Remarques importantes	3
1.2. Outils requis	4
1.3. Entretien et nettoyage	5
1.4. Élimination	5
2. Nomenclature Family Small	6
3. Nomenclature Family Medium	8
4. Nomenclature Family Large	10
5. Plan Family Small	12
5.1. Plan Small « à gauche »	12
5.2. Plan Small « à droite »	12
6. Plan Family Medium	13
6.1. Plan Medium « à gauche »	13
6.2. Plan Medium « à droite »	13
7. Plan Family Large	14
7.1. Plan Large « à gauche »	14
7.2. Plan Large « à droite »	14
8. Montage de la cabine	15
8.1. Montage des éléments muraux	15
8.2. Montage des éléments en verre	15
8.3. Finition de la cabine extérieure	16
8.4. Montage du toit	16
8.5. Montage de l'équipement intérieur	16
8.6. Montage des appareils électriques	16
8.7. Montage de la porte en verre	17
8.8. Montage des accessoires	17
Illustrations de montage (après la dernière langue)	18

1. Préparation du montage

Lisez attentivement les présentes instructions de montage et gardez-les à proximité de l'appareil. Vous avez ainsi accès à tout moment aux informations sur le produit.



Vous pouvez également trouver ces instructions de montage dans la zone de téléchargement de notre site Web : www.mediabank.harvia.com.

1.1. Remarques importantes

- Avant de commencer les travaux, vérifiez au moyen de la nomenclature si toutes les pièces ont bien été livrées. S'il devait s'avérer que des pièces manquent, informez votre revendeur dans les 14 jours suivant la réception de la cabine.
- La pièce dans laquelle la cabine de sauna va être montée doit être sèche et disposer d'une circulation suffisante de l'air.
- Le sol doit être horizontal et lisse, de préférence en pierre ou carrelage.
- Pour les travaux de montage de la cabine, la pièce doit faire au moins 230 cm de haut.
- Une distance d'au moins 5 cm avec le mur doit être respecté.
- Les pièces en bois prévues pour l'intérieur ne doivent pas être traitées avec un agent d'imprégnation.
- Malgré un stockage correct, le bois est un produit naturel qui peut gonfler, se contracter ou se déformer. C'est pourquoi il peut arriver que vous ayez à appliquer de la force lors du montage.
- La circulation de l'air dans la cabine de sauna est déterminante pour sa fonctionnalité. Respectez les dimensions des ouvertures d'entrée et de sortie d'air indiquées par le fabricant du poêle de sauna. Le cas échéant, découpez une ouverture rectangulaire dans le cadre du sol avant le montage ; des trous à l'aide d'une perceuse sont également possibles ultérieurement.
- Lors du montage, vous aurez besoin d'aptitudes manuelles et d'une deuxième personne pour vous aider.
- Tous les raccords vissés doivent être préalésés.

Attention !

Seul un électricien spécialisé ou une personne ayant une qualification similaire est habilité à procéder au raccordement électrique.

1.2. Outils requis

- Marteau et cales ou maillet en caoutchouc
- Visseuse électrique avec bits pour vis en croix et Torx
- Ruban de mesure
- Foret de 3 mm de diamètre, 10 mm, 20 - 30 mm (pour câble électrique poêle de sauna)
- Niveau à bulle
- Clé Allen 1,5 mm
- Couteau universel
- Échelle



Ce symbole désigne les conseils et indications utiles.



Construction en miroir



Préalésage



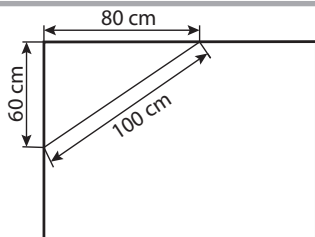
Réalisation du câblage



Sciage à la bonne longueur avec une scie

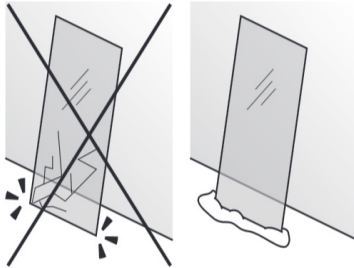


Contrôle de l'angle droit :





Manipulez le verre avec soin : Faire particulièrement attention avec les bords de la vitre ; en cas de choc, le verre trempé peut se briser en petits morceaux. Placez un rembourrage de protection (par ex., un emballage en carton) sous le bord de la vitre.



1.3. Entretien et nettoyage

- L'intérieur du sauna doit être nettoyé à l'aide d'un chiffon humide. Utilisez uniquement de l'eau chaude - si nécessaire, nous vous recommandons d'utiliser le produit Harvia Sauna Cleaner (SAC25040 - nettoyage et désinfection)
- Si le sauna n'est pas utilisé pendant une période prolongée, nous recommandons de chauffer la cabine une fois par mois pour prévenir la formation de moisissures.



Les poches de résine ne constituent pas un motif de réclamation, en raison de leur présence régulière dans le bois d'épicéa et de l'impossibilité de déterminer leur profondeur lors de la sélection du bois.

Si elles se trouvent juste sous la surface, elles éclatent et s'écoulent quand elle sont exposées à la chaleur.

Retirez la résine écoulee à l'aide d'un chiffon imbibé d'acétone. Si vous constatez uniquement des gouttes de résine, attendez qu'elles aient durci, puis grattez-les avec précaution à l'aide d'un couteau.

1.4. Élimination



- Éliminez les matériaux d'emballage conformément aux directives en vigueur relatives à l'élimination.
- Les appareils usagés contiennent des matériaux recyclables, mais aussi des substances toxiques. Par conséquent, ne jetez en aucun cas votre appareil usagé avec les déchets ménagers. Éliminez-le conformément aux directives locales en vigueur.

2. Nomenclature Family Small

Az	Désignation	Dimensions (cm)
Éléments muraux		
1	Élément mural partie inférieure côté droit - Élément électrique	154,5x102x4
1	Élément mural partie supérieure côté droit	154,5x108x4
1	Élément mural partie inférieure côté arrière - Élément de ventilation	154,5x102x4
1	Élément mural partie supérieure côté arrière	154,5x108x4
1	Élément mural partie inférieure côté gauche - Élément électrique	154,5x102x4
1	Élément mural partie supérieure côté gauche	154,5x108x4
1	Élément au-dessus de la porte, noir	142,5x12,1x4
1	Élément avec rainure pour verre, côté droit, noir	202,5x6x4
1	Élément avec rainure pour verre, côté gauche, noir	202,5x6x4
1	Barre de montage au-dessus de la porte, noir	59,7x1,8x0,8
2	Cache avant, noir	202,5x11,5x4
1	Cache avant partie supérieure, noir	142,5x10,6x4
Éléments du toit		
2	Élément de toit	146,7x76,8x5,6
Éléments en verre		
1	Porte en verre	190x59x0,8
1	Élément en verre avec alésages pour charnières	193x58x0,8
1	Élément en verre	193x27,5x0,8
Baguettes d'appui		
3	Baguettes d'appui de banc	57x4x4
2	Baguettes d'appui de banc	97x4x4
2	Baguettes d'appui de toit	138,5x4x4
1	Baguette d'appui de toiture	154,5x4x4
1	Baguette d'appui de toiture avec LED	154,5x4x4
4	Baguettes de couverture d'angles à l'extérieur	202,5x8x1,5
2	Baguettes de couverture à l'extérieur, partie supérieure	138,5x8x1,5
1	Baguettes de couverture à l'intérieur, partie supérieure	145,5x8x1,5

Az	Désignation	Dimensions (cm)
Équipement intérieur		
1	Banc	153,5x57x8
1	Banc	153,5x50x8
1	Banc	74x57x8
1	Pied de banc	57x94x6
1	Grilles de protection de poêle	39x73x5
2	Grilles de protection de poêle	30x43x5
Accessoires		
1	Appuie-tête	30x28x7
1	Kit poignée tilleul/bois noir	
1	LED RGBW - intégrée dans la baguette d'appui de toiture	154,5x2,1x1,7
1	Technologie LED 40W (blanc)	Set LED 230V S/D 40W
1	4 ml de câble silicone 5x2,5 mm ²	
1	Baguette de couverture de câbles	200x4x3
1	Registres d'aération	56x14x1,5
1	Aimant de porte, tôle extérieure, noir	
2	Paumelles 8652-05, noir	
1	Profil en U en aluminium noir	56,7
1	Profil en U en aluminium noir	26,2
1	Kit de matériel de montage	
1	Instructions de montage	

3. Nomenclature Family Medium

Az	Désignation	Dimensions (cm)
Éléments muraux		
1	Élément mural partie inférieure côté droit - Élément électrique	154,5x102x4
1	Élément mural partie supérieure côté droit	154,5x108x4
1	Élément mural partie inférieure côté arrière - Élément de ventilation	185x102x4
1	Élément mural partie supérieure côté arrière	185x108x4
1	Élément mural partie inférieure côté gauche - Élément électrique	154,5x102x4
1	Élément mural partie supérieure côté gauche	154,5x108x4
1	Élément au-dessus de la porte, noir	173x12,1x4
1	Élément avec rainure pour verre, côté droit, noir	202,5x6x4
1	Élément avec rainure pour verre, côté gauche, noir	202,5x6x4
1	Barre de montage au-dessus de la porte, noir	59,7x1,8x0,8
2	Cache avant, noir	202,5x11,5x4
1	Cache avant partie supérieure, noir	175x10,6x4
Éléments du toit		
2	Élément de toit	146,7x92x5,6
Éléments en verre		
1	Porte en verre	190x59x0,8
1	Élément en verre avec alésages pour charnières	193x58x0,8
1	Élément en verre	193x58x0,8
Baguettes d'appui		
3	Baguettes d'appui de banc	57x4x4
2	Baguettes d'appui de banc	88,5x4x4
2	Baguettes d'appui de toit	138,5x4x4
1	Baguette d'appui de toiture	185x4x4
1	Baguette d'appui de toiture avec LED	185x4x4
4	Baguettes de couverture d'angles à l'extérieur	202,5x8x1,5
2	Baguettes de couverture à l'extérieur, partie supérieure	138,5x8x1,5
1	Baguettes de couverture à l'intérieur, partie supérieure	145,5x8x1,5

Az	Désignation	Dimensions (cm)
Équipement intérieur		
1	Banc	184x57x8
1	Banc	184x50x8
1	Banc	82,5x57x8
1	Pied de banc	57x94x6
1	Grilles de protection de poêle	50x73x5
2	Grilles de protection de poêle	32,2x43x5
Accessoires		
1	Appuie-tête	30x28x7
1	Kit poignée tilleul/bois noir	
1	LED RGBW - intégrée dans la baguette d'appui de toiture	185x2,1x1,7
1	Technologie LED 40W (blanc)	Set LED 230V S/D 40W
1	4 ml de câble silicone 5x2,5 mm ²	
1	Baguette de couverture de câbles	200x4x3
1	Registres d'aération	56x14x1,5
1	Aimant de porte, tôle extérieure, noir	
2	Paumelles 8652-05, noir	
2	Profil en U en aluminium noir	56,7
1	Kit de matériel de montage	
1	Instructions de montage	

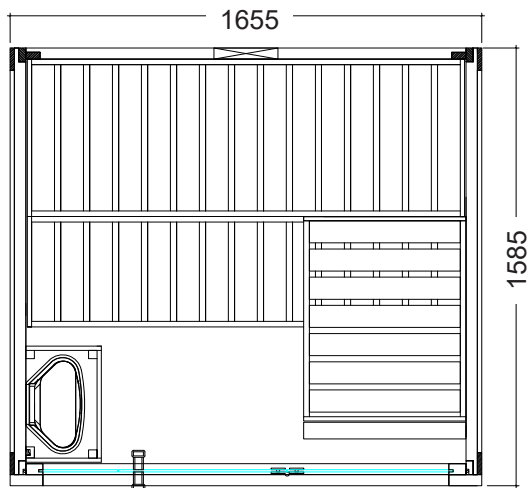
4. Nomenclature Family Large

Az	Désignation	Dimensions (cm)
Éléments muraux		
1	Élément mural partie inférieure côté droit - Élément électrique	185x102x4
1	Élément mural partie supérieure côté droit	185x108x4
1	Élément mural partie inférieure côté arrière - Élément de ventilation	185x102x4
1	Élément mural partie supérieure côté arrière	185x108x4
1	Élément mural partie inférieure côté gauche - Élément électrique	185x102x4
1	Élément mural partie supérieure côté gauche	185x108x4
1	Élément au-dessus de la porte, noir	173x12,1x4
1	Élément avec rainure pour verre, côté droit, noir	202,5x6x4
1	Élément avec rainure pour verre, côté gauche, noir	202,5x6x4
1	Barre de montage au-dessus de la porte, noir	59,7x1,8x0,8
2	Cache avant, noir	202,5x11,5x4
1	Cache avant partie supérieure, noir	175x10,6x4
Éléments du toit		
2	Éléments du toit	177,2x92x5,6
Éléments en verre		
1	Porte en verre	190x59x0,8
1	Élément en verre avec alésages pour charnières	193x58x0,8
1	Élément en verre	193x58x0,8
Baguettes d'appui		
3	Baguettes d'appui de banc	57x4x4
2	Baguettes d'appui de banc	114x4x4
2	Baguettes d'appui de toit	169x4x4
1	Baguette d'appui de toiture	185x4x4
1	Baguette d'appui de toiture avec LED	185x4x4
4	Baguettes de couverture d'angles à l'extérieur	202,5x8x1,5
2	Baguettes de couverture à l'extérieur, partie supérieure	169x8x1,5
1	Baguettes de couverture à l'intérieur, partie supérieure	176x8x1,5

Az	Désignation	Dimensions (cm)
Équipement intérieur		
2	Bancs	184x57x8
1	Banc	113x57x8
1	Pied de banc	57x94x6
1	Grilles de protection de poêle	50x73x5
2	Grilles de protection de poêle	32,2x43x5
Accessoires		
1	Appuie-tête	30x28x7
1	Kit poignée tilleul/bois noir	
1	LED RGBW - intégrée dans la baguette d'appui de toiture	185x2,1x1,7
1	Technologie LED 40W (blanc)	Set LED 230V S/D 40W
1	4 ml de câble silicone 5x2,5 mm ²	
1	Baguette de couverture de câbles	200x4x3
1	Registres d'aération	56x14x1,5
1	Aimant de porte, tôle extérieure, noir	
2	Paumelles 8652-05, noir	
2	Profil en U en aluminium noir	56,7
1	Kit de matériel de montage	
1	Instructions de montage	

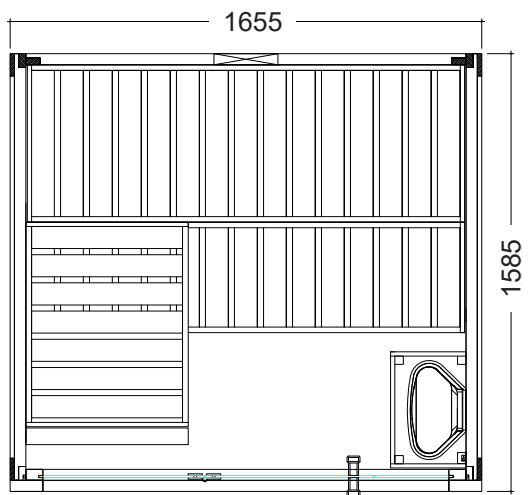
5. Plan Family Small

5.1. Plan Small « à gauche »



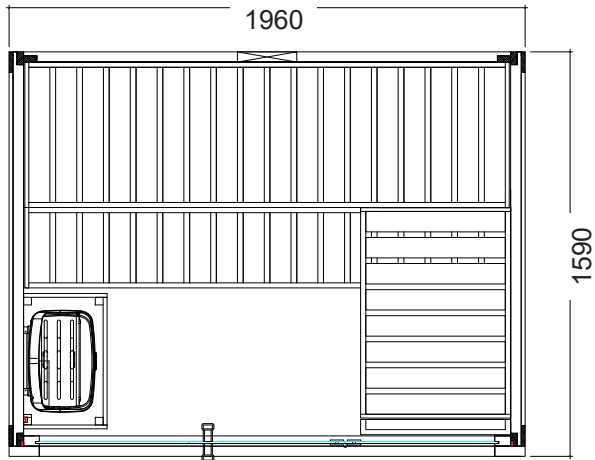
FR

5.2. Plan Small « à droite »



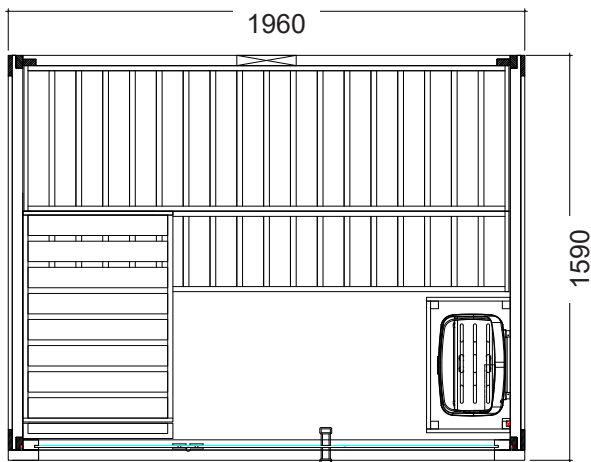
6. Plan Family Medium

6.1. Plan Medium « à gauche »



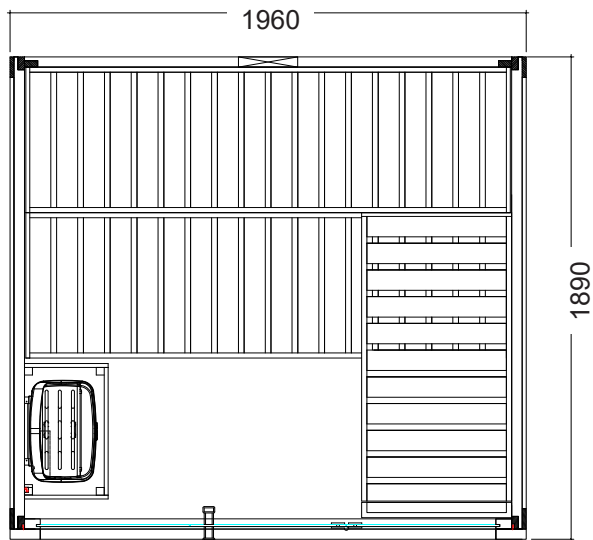
FR

6.2. Plan Medium « à droite »

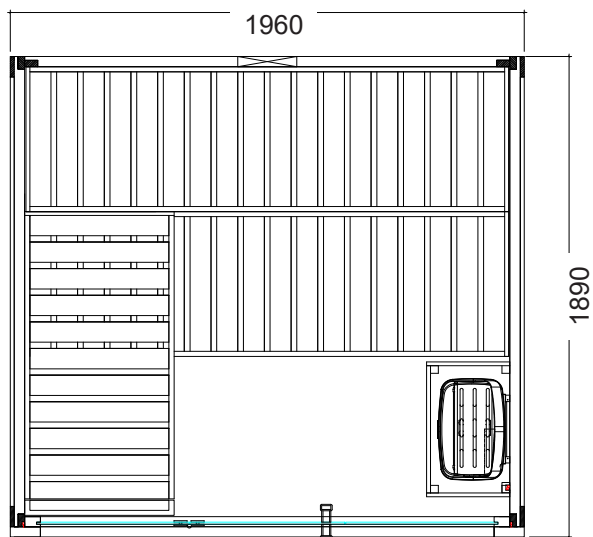


7. Plan Family Large

7.1. Plan Large « à gauche »



7.2. Plan Large « à droite »



8. Montage de la cabine



ATTENTION !

La cabine peut être montée « à droite » ou « à gauche ». Référez-vous aux plans de construction des pages 10 à 11, selon le modèle.

Veillez respecter les figures présentées à partir de la page 15.

8.1. Montage des éléments muraux

Commencez le montage avec l'« élément mural partie inférieure côté arrière - Élément de ventilation » et l'« élément partie inférieure côté droit ». Les parties inférieures sont reconnaissables aux barres de raccordement saillantes. Vissez les éléments à angle droit (voir conseil à la page 4) depuis l'extérieur. Répétez cette opération avec la paroi latérale gauche. La paroi arrière se monte donc entre les parois latérales.

Pour le montage des parties supérieures, commencez à nouveau avec la paroi arrière (« Élément mural partie supérieure côté arrière »). Veillez à ce qu'elle soit bien à fleur de barre de raccordement de la paroi arrière inférieure. Vissez le panneau arrière supérieur des deux côtés sur la barre saillante de la paroi arrière inférieure.

Vissez les éléments muraux supérieurs ensemble.



Notez que l'élément mural supérieur doit être vissé sur la barre saillante de l'élément mural inférieur correspondant.

FR

8.2. Montage des éléments en verre

Vissez les « éléments avec rainure pour verre » de l'extérieur sur les parois latérales. Montez l'« élément au-dessus de la porte » et vissez-le par le haut.

Poussez les profils en U en aluminium à fleur d'éléments en verre.



Prenez bien en compte le sens d'ouverture de la porte lors du montage de l'« élément en verre avec alésage pour charnières » (voir options 1 et 2).

Placez l'élément en verre au milieu du cadre de porte, veillez à ce qu'il soit bien droit et à la position des poinçons. Poussez l'élément en verre gauche ou droite dans la rainure des montants d'angle.

Montage de la « barre de montage au-dessus de la porte » entre les éléments en verre.

8.3. Finition de la cabine extérieure

Montage des « caches avant » par vissage depuis l'intérieur, à fleur de face intérieure.

Montage du « cache avant partie supérieure » au-dessus du verre par vissage depuis l'intérieur.

Montage des « baguettes de couverture à l'extérieur » par vissage.

8.4. Montage du toit

Montage des baguettes d'appui de toit Commencez par la barre avec LED sur la paroi arrière.

Mettez les éléments de toit en place et vissez-les aux parois de la cabine. Tenez compte des sorties de câbles.

Montage de la baguette de couverture à l'intérieur.

8.5. Montage de l'équipement intérieur

Montage du registre d'aération.

Montage des baguettes d'appui de banc.

Placez le banc supérieur et inférieur sur les baguettes d'appui de banc prévues à cet effet.

FR

Vissez le pied de banc sur le banc supérieur en angle et vissez celui-ci de l'autre côté sur le banc supérieur arrière. Pour finir, vissez le pied du banc à l'élément mural.

8.6. Montage des appareils électriques

Le câble d'alimentation du poêle nécessite un trou de Ø 2 cm dans le conduit de



Respectez le mode d'emploi de votre poêle de sauna et de la commande du sauna.

câbles. Percez la sortie de câble en angle droit et posez le câble jusqu'au toit, vers le bloc d'alimentation de la commande du sauna (5 x 2,5 mm²).

Répéter cette étape pour la sonde de poêle - Ø 1 cm - 15 cm, sous le plafond.

Utilisez la baguette de couverture pour dissimuler les câbles. Raccourcissez-les selon les besoins à l'aide d'une scie.

Posez le câble de données pour l'élément de commande jusqu'au toit vers le bloc d'alimentation de la commande du sauna.

8.7. Montage de la porte en verre

Vissez les deux ferrures de porte à l'élément en verre fixe en vous assurant que les ferrures sont au niveau de la porte et que la porte s'ouvre vers l'extérieur.



L'orientation des ferrures est effectuée en ajustant/tournant les deux armatures en plastique.

8.8. Montage des accessoires

Les poignées de porte se vissent les unes aux autres depuis l'intérieur.

Montage de l'aimant de porte et de la tôle extérieure Des orifices de montage sont prévus sous le joint pour l'aimant de porte. Selon l'ouverture de la porte, le joint doit être découpé à gauche ou à droite.

Montage de la grille de protection du poêle.

Montage de la baguette de couverture de câbles en fonction de la nécessité.

Harvia Family

HARVIA

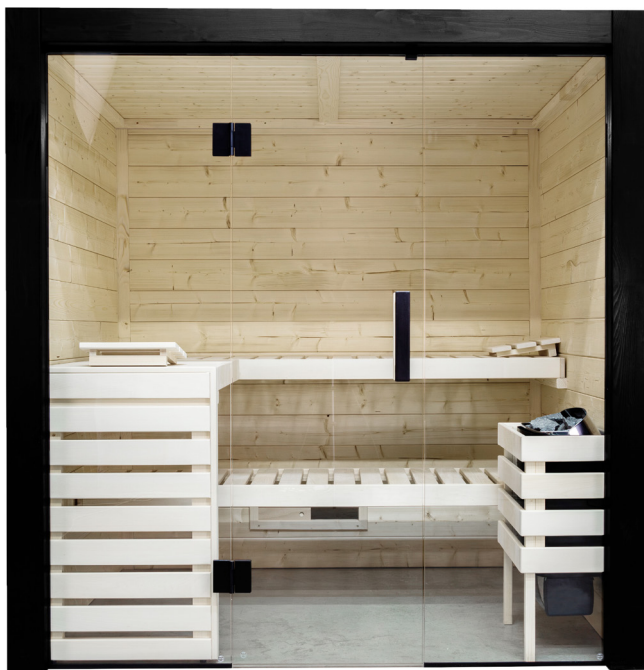
Sauna in legno massiccio
Istruzioni di montaggio

N. articolo

FAMILY-S 166 x 159 x 204 cm

FAMILY-M 196 x 159 x 204 cm

FAMILY-L 196 x 189 x 204 cm



IT



Indice

1. Preparazione per il montaggio	3
1.1. Indicazioni importanti	3
1.2. Attrezzi necessari	4
1.3. Manutenzione e pulizia	5
1.4. Smaltimento	5
2. Elenco pezzi Family Small	6
3. Elenco pezzi Family Medium	8
4. Elenco pezzi Family Large	10
5. Pianta Family Small	12
5.1. Pianta Small “a sinistra”	12
5.2. Pianta Small “a destra”	12
6. Pianta Family Medium	13
6.1. Pianta Medium “a sinistra”	13
6.2. Pianta Medium “a destra”	13
7. Pianta Family Large	14
7.1. Pianta Large “a sinistra”	14
7.2. Pianta Large “a destra”	14
8. Montaggio cabina	15
8.1. Montaggio degli elementi parete	15
8.2. Montaggio degli elementi in vetro	15
8.3. Completamento cabina all'esterno	16
8.4. Montaggio del tetto	16
8.5. Montaggio dell'allestimento interno	16
8.6. Montaggio apparecchi elettrici	16
8.7. Montaggio della porta in vetro	17
8.8. Montaggio accessori	17
Figure di montaggio (dopo l'ultima lingua)	18

1. Preparazione per il montaggio

Leggere con attenzione le presenti istruzioni di montaggio e conservarle in prossimità della sauna. In questo modo è possibile controllare in qualsiasi momento le informazioni relative al prodotto.



Le presenti istruzioni di montaggio sono disponibili anche nella sezione download del nostro sito web all'indirizzo: www.mediabank.harvia.com.

1.1. Indicazioni importanti

- Prima di iniziare i lavori, controllare in base all'elenco dei pezzi se tutti i singoli componenti sono stati effettivamente forniti. Se eccezionalmente dovessero mancare dei singoli componenti, contattare il proprio fornitore entro 14 giorni dal ricevimento della cabina.
- L'ambiente in cui la cabina della sauna viene montata deve essere asciutto e garantire la circolazione dell'aria richiesta.
- Il pavimento deve essere orizzontale e uniforme, preferibilmente in pietra o piastrelle.
- Per i lavori di montaggio della cabina è necessaria un'altezza minima libera di 230 cm.
- Mantenere una distanza minima dalle pareti di 5 cm.
- I componenti in legno da utilizzare all'interno non devono essere trattati con impregnante.
- Il legno è un prodotto naturale che può gonfiarsi, ritirarsi o deformarsi anche se immagazzinato correttamente. In fase di montaggio potrebbe quindi essere necessario applicare una certa forza.
- La circolazione dell'aria nella cabina della sauna è fondamentale per la sua funzionalità. Rispettare le dimensioni delle aperture per l'aria di alimentazione e di scarico indicate nelle istruzioni del produttore della sauna. Se necessario, prima dell'installazione praticare un'apertura rettangolare nel telaio di base; è possibile praticare i fori con un trapano anche in un secondo momento.
- Per il montaggio sono richiesti l'abilità manuale e l'aiuto di una seconda persona.
- Tutte le connessioni a vite devono essere preforate.

Attenzione!

Il collegamento elettrico deve essere eseguito da elettricisti specializzati o da persone con una qualifica simile.

1.2. Attrezzi necessari

- Martello e pezzo di legno oppure martello in gomma
- Avvitatore elettrico con punte per viti con testa a croce e viti Torx
- Metro a nastro avvolgibile
- Punta per trapano da 3 mm, 10 mm, 20-30 mm (per cavo elettrico della stufa per sauna)
- Livella a bolla
- Chiave a brugola da 1,5 mm
- Cutter
- Scala



Questo simbolo indica consigli e indicazioni utili



struttura speculare



Preforatura



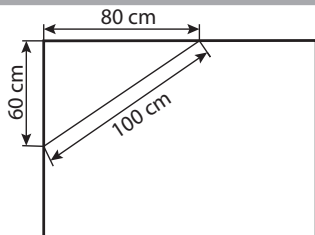
Cablaggio



Tagliare la lunghezza effettiva con la sega

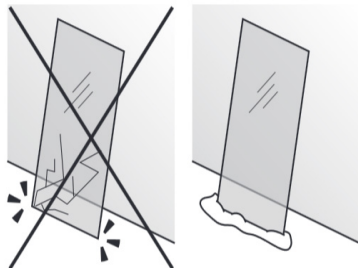


Verifica dell'ortogonalità:





Maneggiare il vetro con cura: particolare attenzione deve essere prestata ai bordi del vetro - il vetro temprato può frantumarsi in piccoli pezzi in caso di impatto. Inserire un cuscinio di protezione (ad es: scatola di cartone) sotto il bordo del vetro.



1.3. Manutenzione e pulizia

- La sauna all'interno deve essere pulita con un panno umido. Utilizzare solo acqua calda, se necessario si consiglia Harvia Sauna Cleaner (SAC25040 - Pulizia e disinfezione)
- Se la sauna non viene utilizzata per un tempo prolungato, si consiglia di riscaldare la cabina una volta al mese per evitare la formazione di muffe.



Le tasche di resina non sono motivo di reclamo perché nel legno di abete rosso sono sempre presenti e durante la selezione non è possibile rilevare a quale profondità si trovino.

Quando sono appena al di sotto della superficie, con lo sviluppo del calore si rompono e possono "essudare".

Rimuovere la resina fuoriuscita con un panno imbevuto di acetone. Se sono presenti solo gocce di resina, lasciarle indurire e poi raschiarle con cautela usando un coltello.

1.4. Smaltimento



- Smaltire i materiali dell'imballaggio conformemente alle normative sullo smaltimento vigenti.
- I vecchi dispositivi contengono materiali riciclabili ma anche sostanze dannose. Non gettare mai un dispositivo usato insieme ai rifiuti non riciclabili, bensì smaltirlo in conformità alle norme vigenti a livello locale.

2. Elenco pezzi Family Small

Pz.	Denominazione	Dimensioni (cm)
Elementi parete		
1	Elemento parete a destra inferiore - Elemento elettrico	154,5x102x4
1	Elemento parete a destra superiore - Elemento elettrico	154,5x108x4
1	Elemento parete posteriore inferiore - Elemento di aerazione	154,5x102x4
1	Elemento parete posteriore superiore	154,5x108x4
1	Elemento parete a sinistra inferiore - Elemento elettrico	154,5x102x4
1	Elemento parete a sinistra superiore - Elemento elettrico	154,5x108x4
1	Elemento sopraporta, nero	142,5x12,1x4
1	Elemento con scanalatura per vetro a destra, nero	202,5x6x4
1	Elemento con scanalatura per vetro a sinistra, nero	202,5x6x4
1	Listello di montaggio sopraporta, nero	59,7x1,8x0,8
2	Copertura anteriore, nero	202,5x11,5x4
1	Copertura anteriore superiore, nero	142,5x10,6x4
Elementi del tetto		
2	Elemento tetto	146,7x76,8x5,6
Elementi in vetro		
1	Porta in vetro	190x59x0,8
1	Elemento in vetro con fori per cerniere porta	193x58x0,8
1	Elemento in vetro	193x27,5x0,8
Listelli di supporto		
3	Listelli di supporto panca	57x4x4
2	Listelli di supporto panca	97x4x4
2	Listelli di supporto del tetto	138,5x4x4
1	Listello di supporto tetto	154,5x4x4
1	Listello di supporto del tetto con LED	154,5x4x4
4	Strisce di copertura angoli esterne	202,5x8x1,5
2	Strisce di copertura superiori esterne	138,5x8x1,5
1	Listello di copertura superiore interno	145,5x8x1,5

Pz.	Denominazione	Dimensioni (cm)
Allestimento interno		
1	Panca	153,5x57x8
1	Panca	153,5x50x8
1	Panca	74x57x8
1	Piede della panca	57x94x6
1	Griglia di protezione stufa	39x73x5
2	Griglia di protezione stufa	30x43x5
Accessori		
1	regolabili	30x28x7
1	Set maniglia porta legno di tiglio/legno nero	
1	LED RGBW - incorporato nel listello di supporto del tetto	154,5x2,1x1,7
1	Tecnologia LED 40W (bianco)	Set LED 230 V S/D 40 W
1	4 m cavo di silicone 5x2,5 mm ²	
1	Piastra copricavi	200x4x3
1	Pannello scorrevole di aerazione	56x14x1,5
1	Magnete per porta, lamierino di battuta, nero	
2	Cerniere porta 8652-05, nero	
1	Profilo in alluminio nero	56,7
1	Profilo in alluminio nero	26,2
1	Set di materiale di montaggio	
1	Istruzioni di montaggio	

3. Elenco pezzi Family Medium

Pz.	Denominazione	Dimensioni (cm)
Elementi parete		
1	Elemento parete a destra inferiore - Elemento elettrico	154,5x102x4
1	Elemento parete a destra superiore - Elemento elettrico	154,5x108x4
1	Elemento parete posteriore inferiore - Elemento di aerazione	185x102x4
1	Elemento parete posteriore superiore	185x108x4
1	Elemento parete a sinistra inferiore - Elemento elettrico	154,5x102x4
1	Elemento parete a sinistra superiore - Elemento elettrico	154,5x108x4
1	Elemento sopraporta, nero	173x12,1x4
1	Elemento con scanalatura per vetro a destra, nero	202,5x6x4
1	Elemento con scanalatura per vetro a sinistra, nero	202,5x6x4
1	Listello di montaggio sopraporta, nero	59,7x1,8x0,8
2	Copertura anteriore, nero	202,5x11,5x4
1	Copertura anteriore superiore, nero	175x10,6x4
Elementi del tetto		
2	Elemento tetto	146,7x92x5,6
Elementi in vetro		
1	Porta in vetro	190x59x0,8
1	Elemento in vetro con fori per cerniere porta	193x58x0,8
1	Elemento in vetro	193x58x0,8
Listelli di supporto		
3	Listelli di supporto panca	57x4x4
2	Listelli di supporto panca	88,5x4x4
2	Listelli di supporto del tetto	138,5x4x4
1	Listello di supporto tetto	185x4x4
1	Listello di supporto del tetto con LED	185x4x4
4	Strisce di copertura angoli esterne	202,5x8x1,5
2	Strisce di copertura superiori esterne	138,5x8x1,5
1	Listello di copertura superiore interno	145,5x8x1,5

Pz.	Denominazione	Dimensioni (cm)
Allestimento interno		
1	Panca	184x57x8
1	Panca	184x50x8
1	Panca	82,5x57x8
1	Piede della panca	57x94x6
1	Griglia di protezione stufa	50x73x5
2	Griglia di protezione stufa	32,2x43x5
Accessori		
1	regolabili	30x28x7
1	Set maniglia porta legno di tiglio/legno nero	
1	LED RGBW - incorporato nel listello di supporto del tetto	185x2,1x1,7
1	Tecnologia LED 40W (bianco)	Set LED 230 V S/D 40 W
1	4 m cavo di silicone 5x2,5 mm ²	
1	Piastra copricavi	200x4x3
1	Pannello scorrevole di aerazione	56x14x1,5
1	Magnete per porta, lamierino di battuta, nero	
2	Cerniere porta 8652-05, nero	
2	Profilo in alluminio nero	56,7
1	Set di materiale di montaggio	
1	Istruzioni di montaggio	

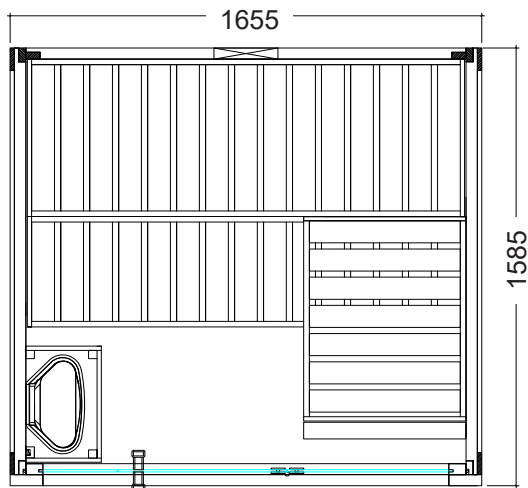
4. Elenco pezzi Family Large

Pz.	Denominazione	Dimensioni (cm)
Elementi parete		
1	Elemento parete a destra inferiore - Elemento elettrico	185x102x4
1	Elemento parete a destra superiore - Elemento elettrico	185x108x4
1	Elemento parete posteriore inferiore - Elemento di aerazione	185x102x4
1	Elemento parete posteriore superiore	185x108x4
1	Elemento parete a sinistra inferiore - Elemento elettrico	185x102x4
1	Elemento parete a sinistra superiore - Elemento elettrico	185x108x4
1	Elemento sopraporta, nero	173x12,1x4
1	Elemento con scanalatura per vetro a destra, nero	202,5x6x4
1	Elemento con scanalatura per vetro a sinistra, nero	202,5x6x4
1	Listello di montaggio sopraporta, nero	59,7x1,8x0,8
2	Copertura anteriore, nero	202,5x11,5x4
1	Copertura anteriore superiore, nero	175x10,6x4
Elementi del tetto		
2	Elementi del tetto	177,2x92x5,6
Elementi in vetro		
1	Porta in vetro	190x59x0,8
1	Elemento in vetro con fori per cerniere porta	193x58x0,8
1	Elemento in vetro	193x58x0,8
Listelli di supporto		
3	Listelli di supporto panca	57x4x4
2	Listelli di supporto panca	114x4x4
2	Listelli di supporto del tetto	169x4x4
1	Listello di supporto tetto	185x4x4
1	Listello di supporto del tetto con LED	185x4x4
4	Strisce di copertura angoli esterne	202,5x8x1,5
2	Strisce di copertura superiori esterne	169x8x1,5
1	Listello di copertura superiore interno	176x8x1,5

Pz.	Denominazione	Dimensioni (cm)
Allestimento interno		
2	Panche	184x57x8
1	Panca	113x57x8
1	Piede della panca	57x94x6
1	Griglia di protezione stufa	50x73x5
2	Griglia di protezione stufa	32,2x43x5
Accessori		
1	regolabili	30x28x7
1	Set maniglia porta legno di tiglio/legno nero	
1	LED RGBW - incorporato nel listello di supporto del tetto	185x2,1x1,7
1	Tecnologia LED 40W (bianco)	Set LED 230 V S/D 40 W
1	4 m cavo di silicone 5x2,5 mm ²	
1	Piastra copricavi	200x4x3
1	Pannello scorrevole di aerazione	56x14x1,5
1	Magnete per porta, lamierino di battuta, nero	
2	Cerniere porta 8652-05, nero	
2	Profilo in alluminio nero	56,7
1	Set di materiale di montaggio	
1	Istruzioni di montaggio	

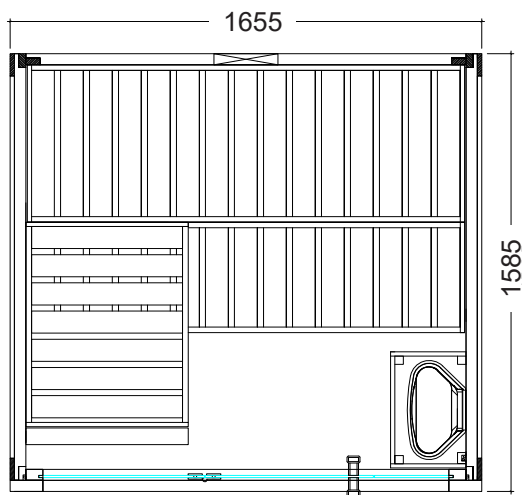
5. Pianta Family Small

5.1. Pianta Small “a sinistra”



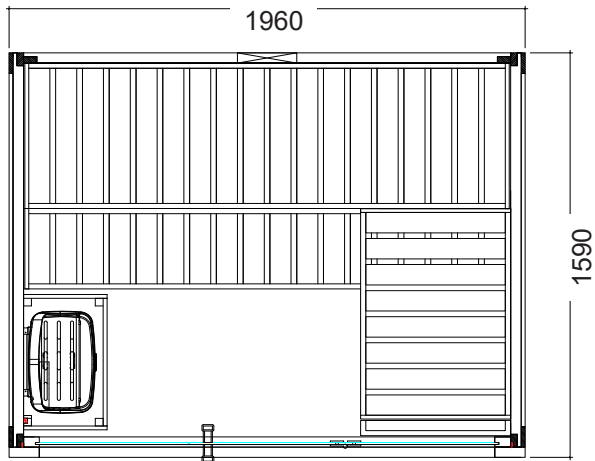
IT

5.2. Pianta Small “a destra”

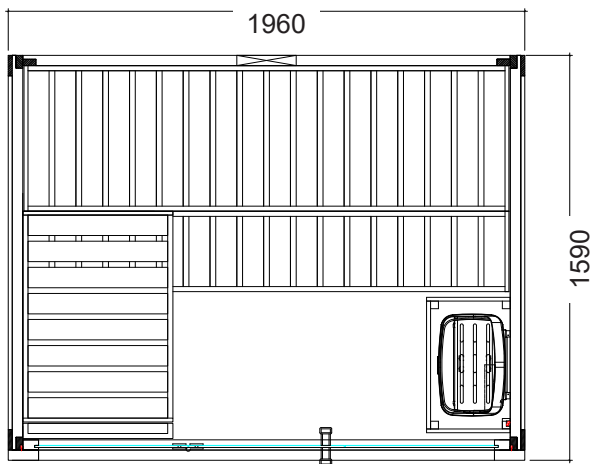


6. Pianta Family Medium

6.1. Pianta Medium “a sinistra”

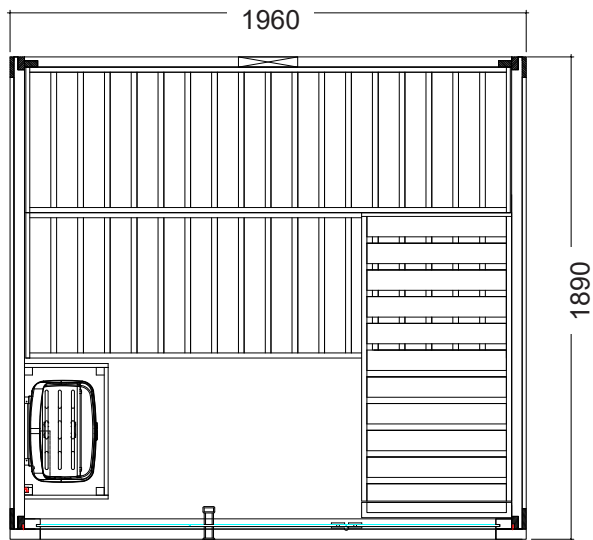


6.2. Pianta Medium “a destra”



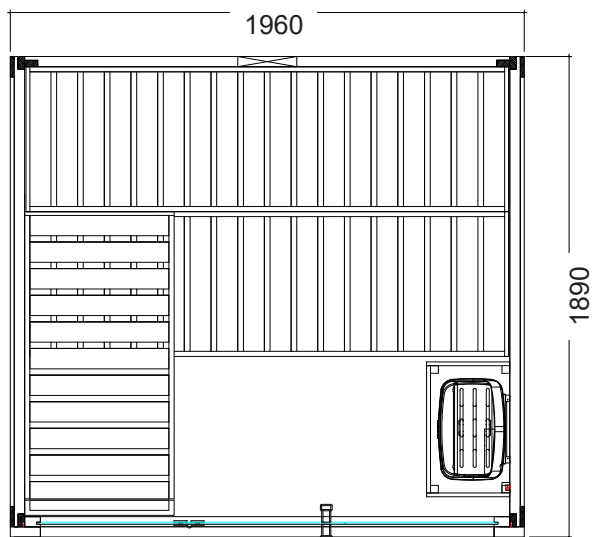
7. Pianta Family Large

7.1. Pianta Large “a sinistra”



IT

7.2. Pianta Large “a destra”



8. Montaggio cabina



ATTENZIONE!

La cabina può essere montata "a sinistra" o "a destra", consultare A questo proposito consultare le piante a pag. da 10 a 11, a seconda del modello.

Osservare le figure a partire da pag. 17.

8.1. Montaggio degli elementi parete

Iniziare il montaggio con l'"Elemento parete posteriore inferiore - Elemento di aerazione" e l'"Elemento a destra inferiore". Le parti inferiori sono riconoscibili dai listelli di collegamento sporgenti. Avvitare gli elementi ad angolo retto (vedi consiglio a pagina 4) dall'esterno. Ripetere l'operazione con il pannello laterale sinistro. Il pannello posteriore è di conseguenza montato tra i pannelli laterali.

Durante il montaggio delle parti superiori, ricominciare dal pannello posteriore (Elemento posteriore superiore). Accertarsi del collegamento a filo con il listello di collegamento del pannello posteriore inferiore. Avvitare il pannello posteriore superiore su entrambi i lati alla striscia sporgente del pannello posteriore inferiore. Avvitare gli elementi parete superiori tra loro.



Tenere presente che l'elemento parete superiore deve essere avvitato alla striscia sporgente dell'elemento parete inferiore.

8.2. Montaggio degli elementi in vetro

Avvitare gli "Elementi con scanalatura per vetro" dall'esterno alle pareti laterali. Montare l'"Elemento sopraporta" e avvitarlo anche da sopra.

Inserire il profilo a U in alluminio a filo sull'elemento di vetro.



Tenere presente che con l'installazione dell'"Elemento in vetro con fori per cerniere porta" si determina la direzione di apertura della porta (vedere opzione 1 e 2).

Posizionare l'elemento di vetro centralmente nel telaio della porta, tenendo conto dell'allineamento dritto e della posizione del puntello. Far scorrere l'elemento di vetro rispettivamente a sinistra o a destra nella scanalatura dei montanti angolari.

Montaggio del "Listello di montaggio sopraporta" tra gli elementi di vetro.

8.3. Completamento cabina all'esterno

Montaggio delle "Coperture anteriori" tramite avvitarlo dall'interno, a filo con il lato interno.

Montaggio della "Copertura anteriore superiore" sul vetro tramite avvitarlo dall'interno.

Montaggio dei "Listelli di copertura esterni" mediante avvitarlo.

8.4. Montaggio del tetto

Montaggio dei listelli di supporto del tetto. Iniziare con il listello con LED sul pannello posteriore.

Inserire gli elementi del tetto e avvitarli alle pareti della cabina. Fare attenzione alle uscite dei cavi.

Montaggio del listello di copertura interno.

8.5. Montaggio dell'allestimento interno

Montaggio del pannello scorrevole di aerazione.

Montaggio dei listelli di supporto della panca.

Posizionare la panca superiore e inferiore sui listelli di supporto appositamente previsti.

IT

Avvitare il piede della panca alla panca angolare superiore e avvitare questa sull'altro lato alla panca superiore posteriore. Da ultimo, avvitare il piede della panca all'elemento parete.

8.6. Montaggio apparecchi elettrici



Osservare le istruzioni per l'uso del riscaldatore della sauna e dell'unità di controllo della sauna.

Per la linea di alimentazione della stufa serve un foro di Ø 2 cm nel vano cavi. Forare ad angolo retto l'uscita dei cavi e posare il cavo sul tetto verso l'elemento di potenza del comando della sauna (5 x 2,5 mm²).

Ripetere l'operazione per il sensore della stufa - Ø 1 cm - 15 cm sotto il tetto.

Per nascondere il cavo, utilizzare la piastra copricavi. Accorciarli con una sega secondo le necessità.

Posare il cavo dati per l'unità di comando fin sopra il tetto verso l'elemento di potenza del comando della sauna.

8.7. Montaggio della porta in vetro

Avvitare entrambe le guarnizioni della porta all'elemento di fissaggio al vetro, assicurandosi che le guarnizioni siano allineate longitudinalmente e che la porta si apra verso l'esterno.



L'orientamento delle guarnizioni viene eseguito regolando / ruotando i due inserti in plastica.

8.8. Montaggio accessori

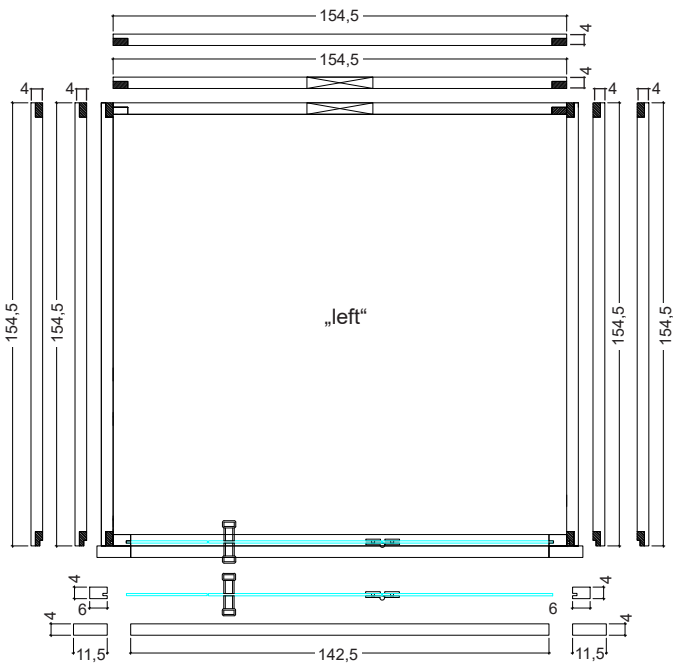
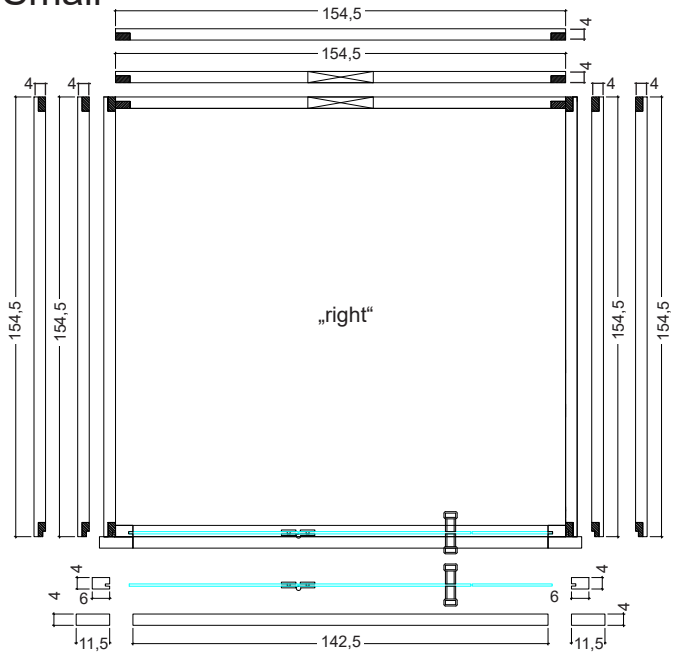
Le maniglie vengono avvitate tra loro dall'interno.

Montaggio del magnete della porta e del lamierino di battuta. Per il magnete della porta, sotto la guarnizione sono presenti perforazioni di montaggio, a seconda dell'apertura della porta la guarnizione deve essere ritagliata a sinistra o a destra.

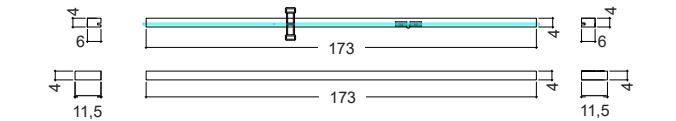
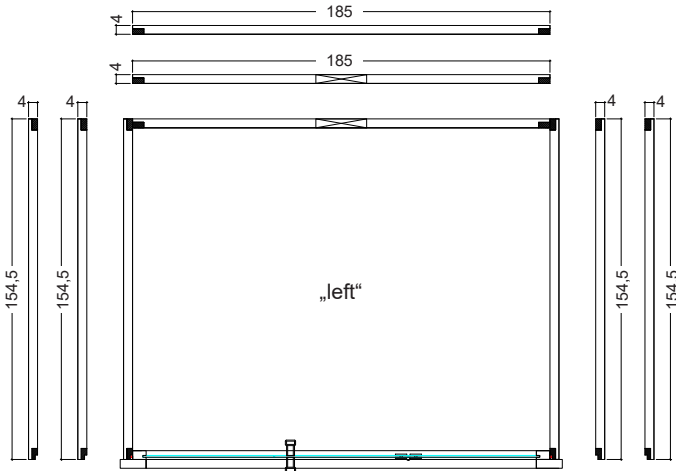
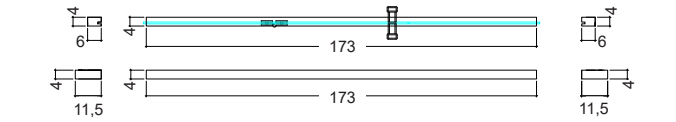
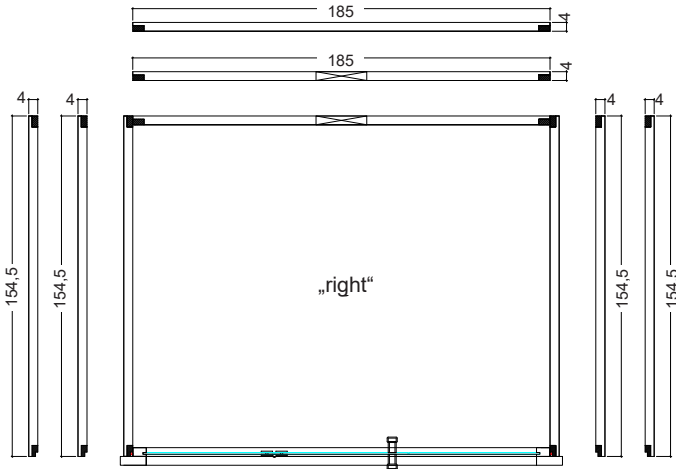
Montaggio della griglia di protezione della stufa.

Montaggio piastra copricavi all'occorrenza.

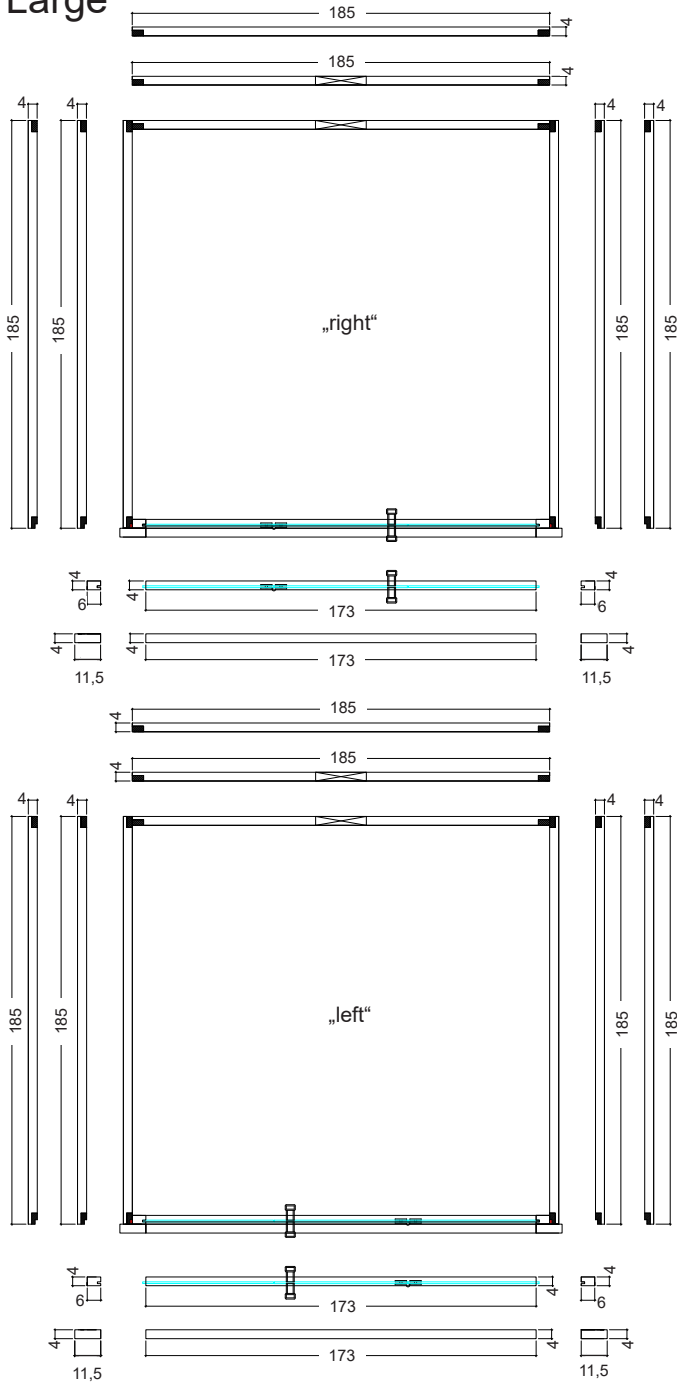
Family Small



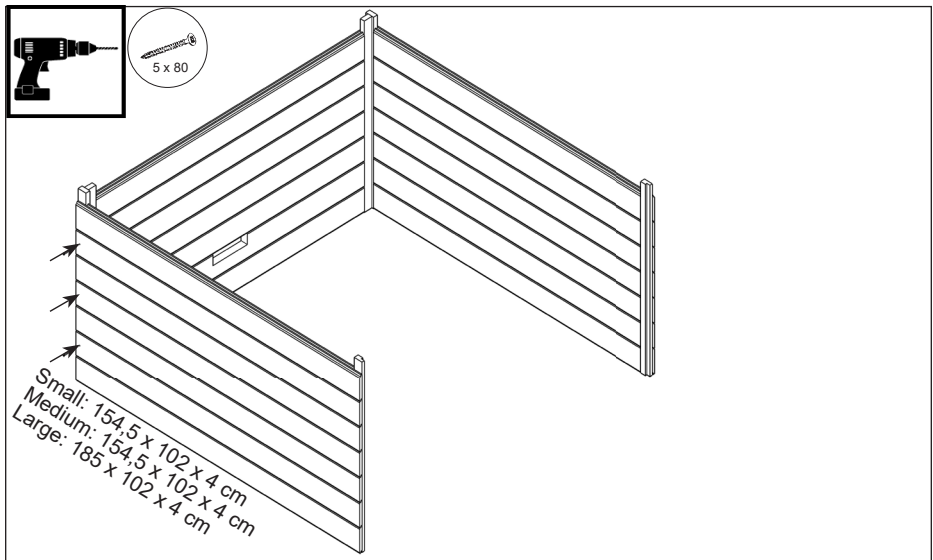
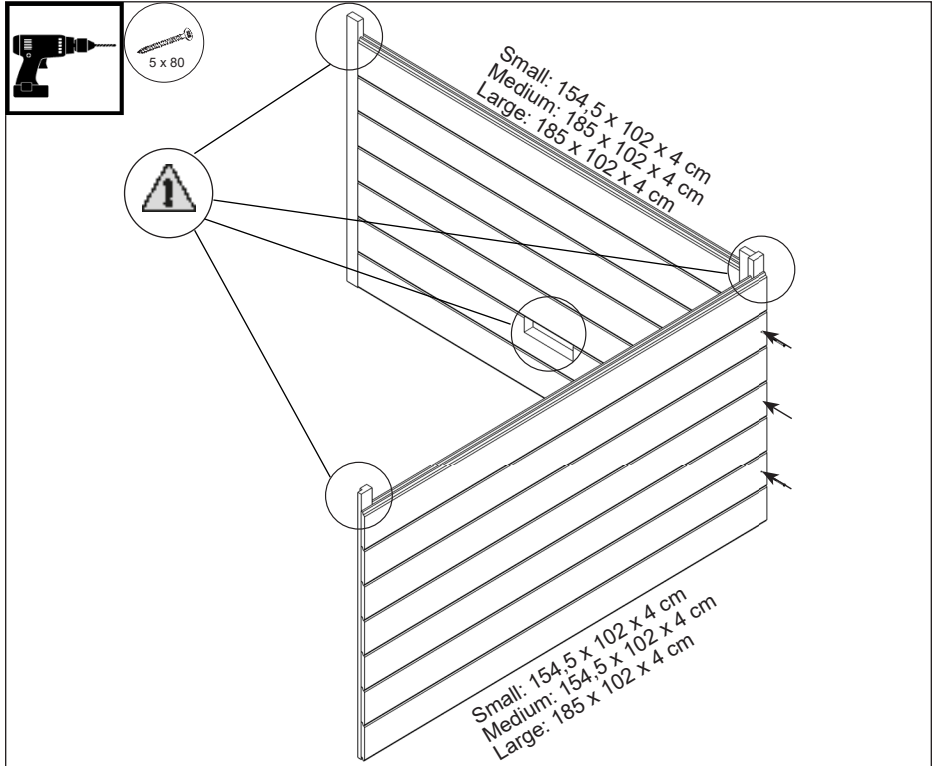
Family Medium



Family Large

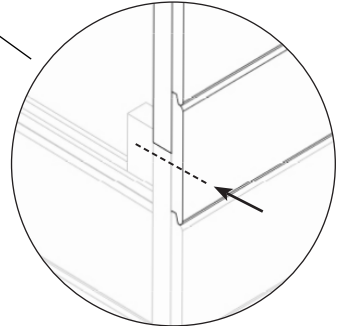
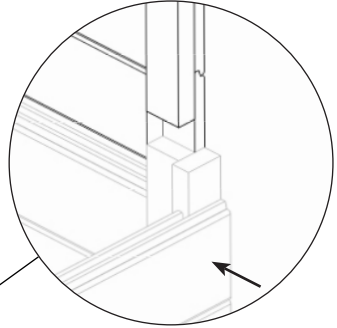
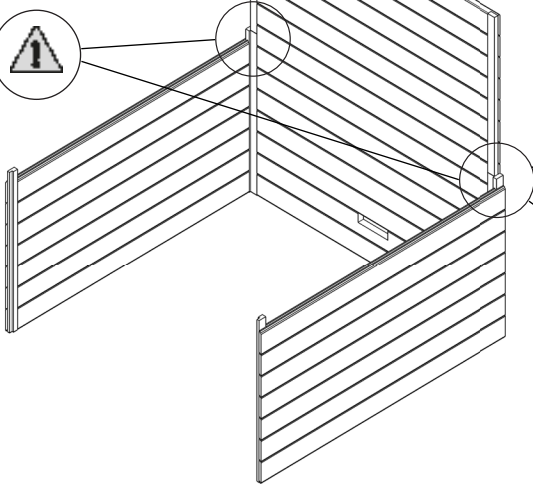


6.1.

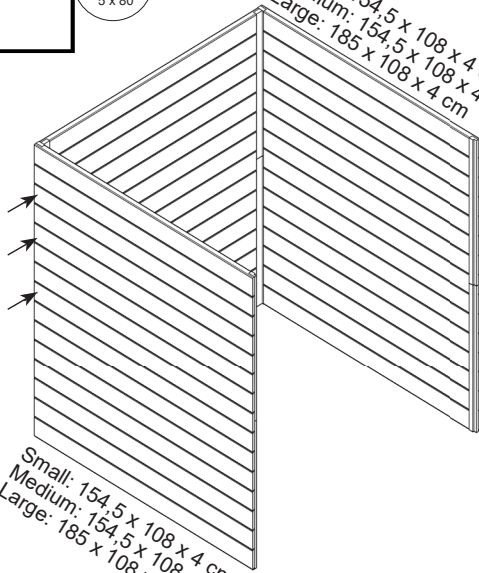




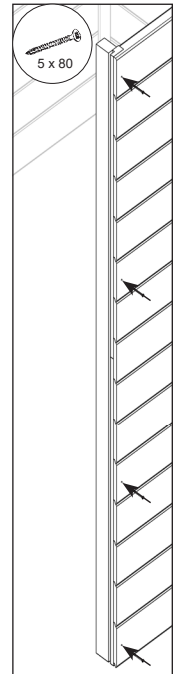
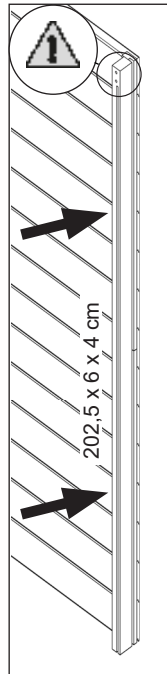
Small: 154,5 x 108 x 4 cm
Medium: 185 x 108 x 4 cm
Large: 185 x 108 x 4 cm

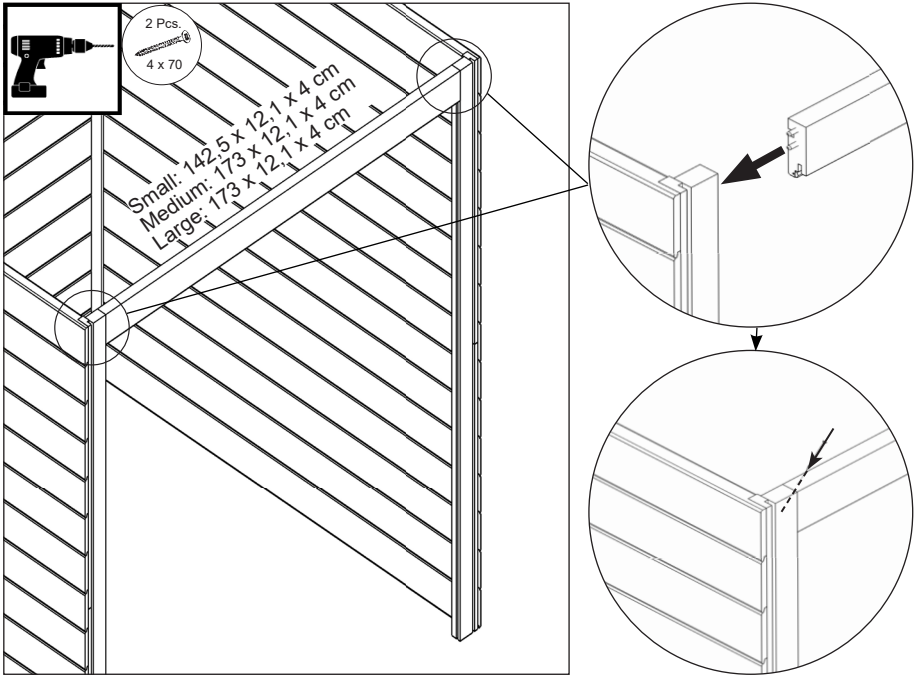


Small: 154,5 x 108 x 4 cm
Medium: 154,5 x 108 x 4 cm
Large: 185 x 108 x 4 cm

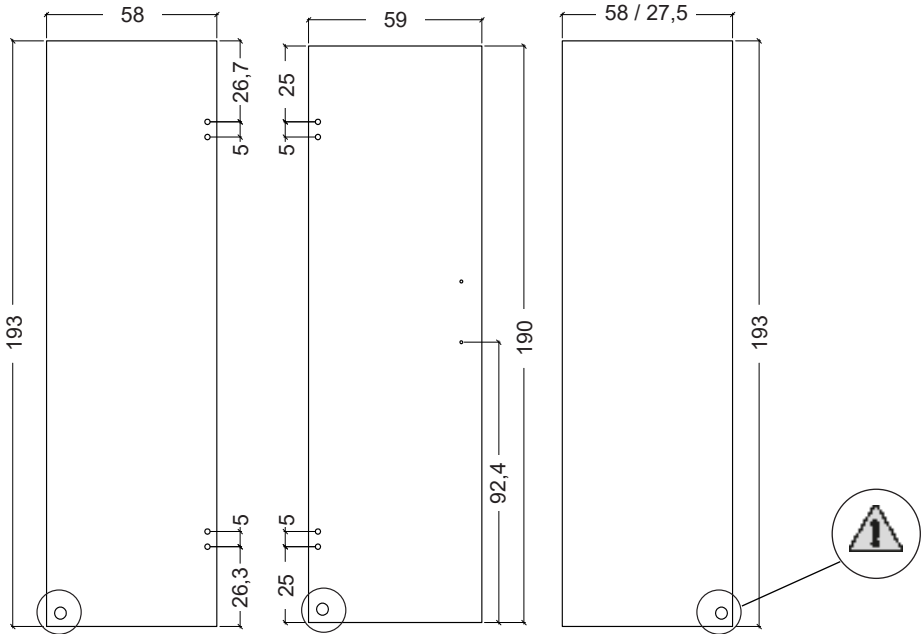


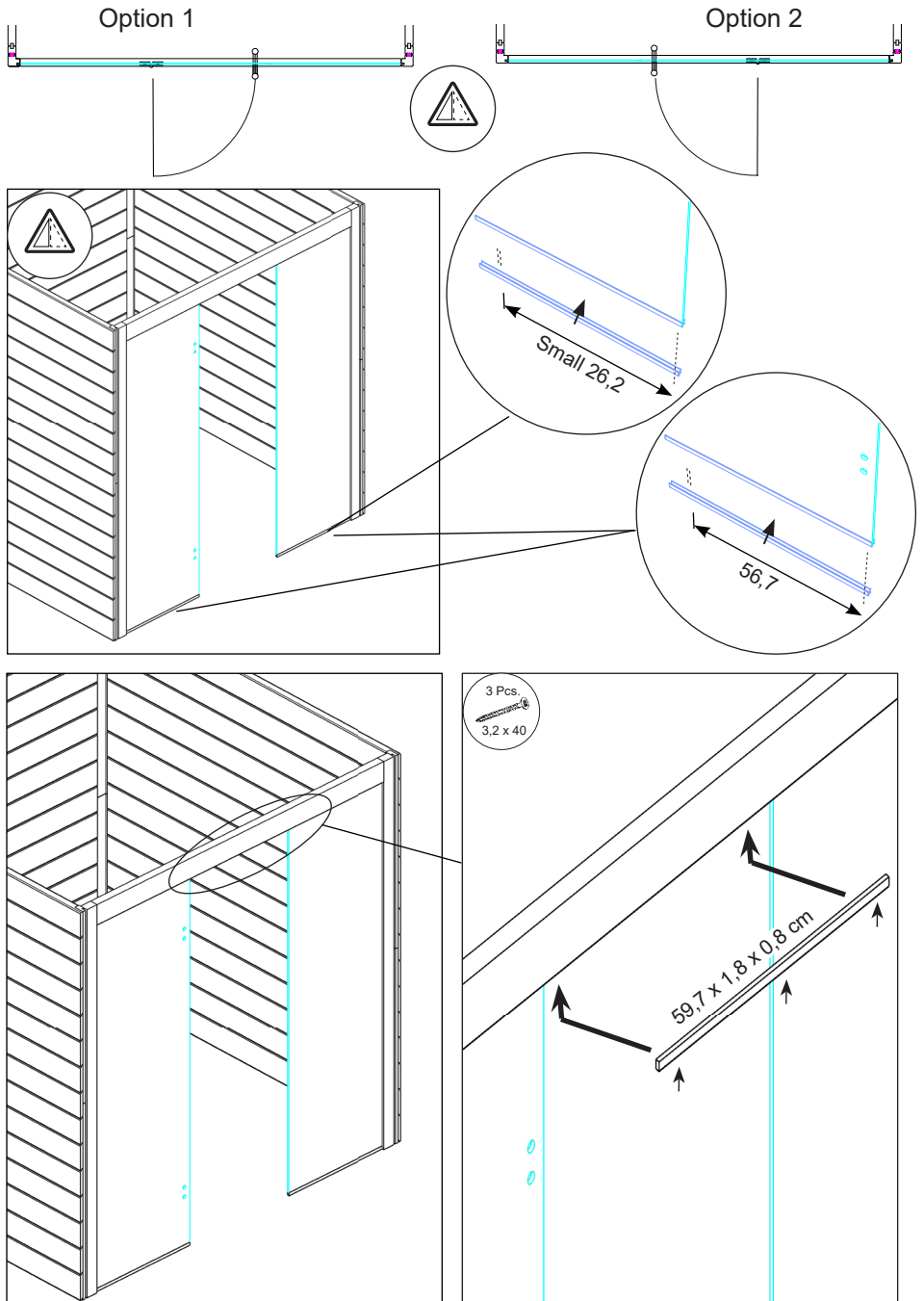
Small: 154,5 x 108 x 4 cm
Medium: 154,5 x 108 x 4 cm
Large: 185 x 108 x 4 cm



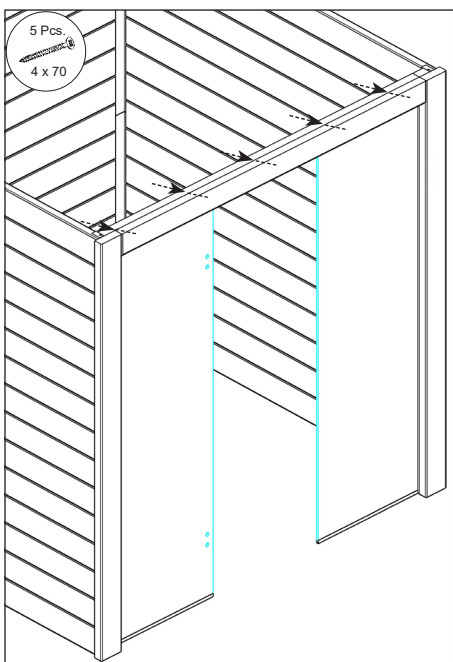
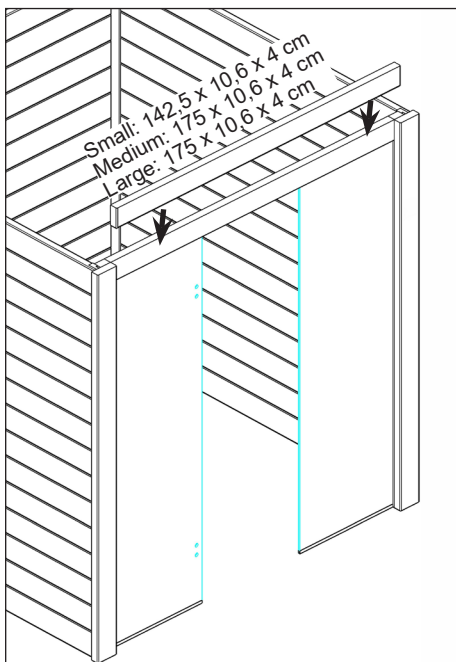
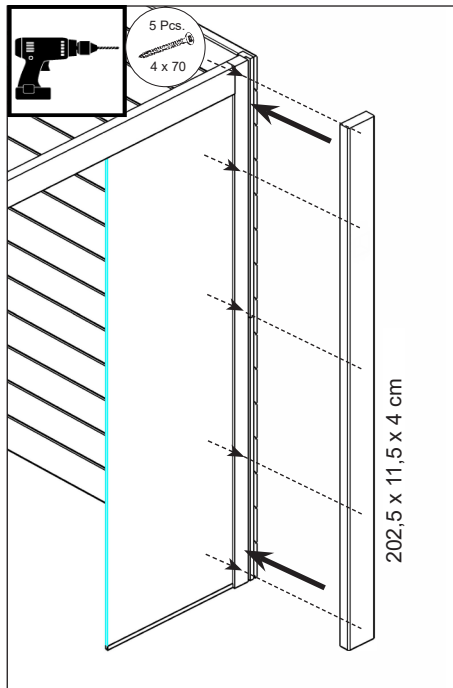
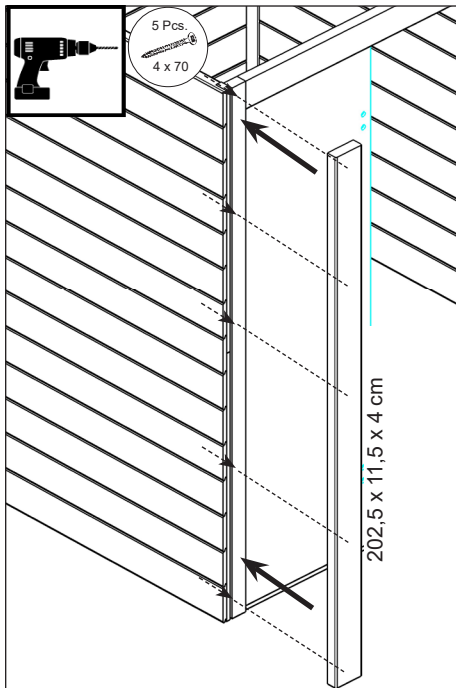


6.2.

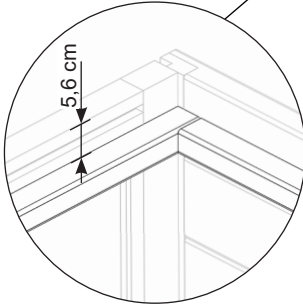




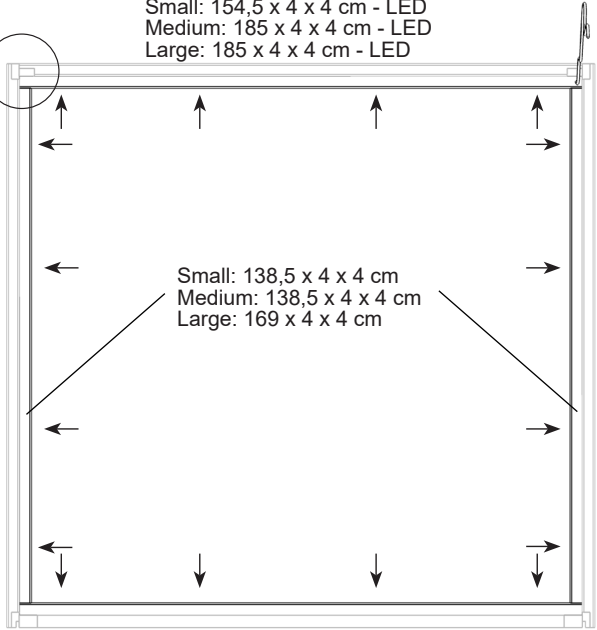
6.3.



6.4.

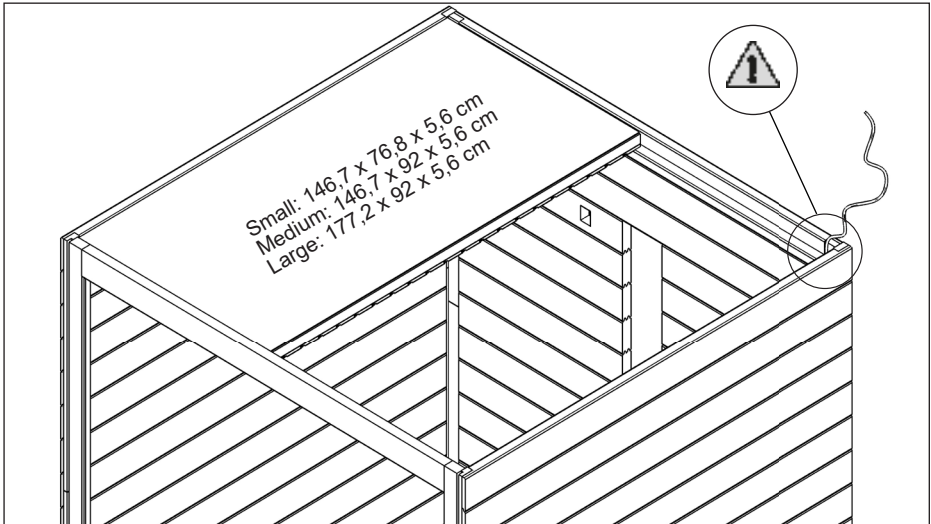


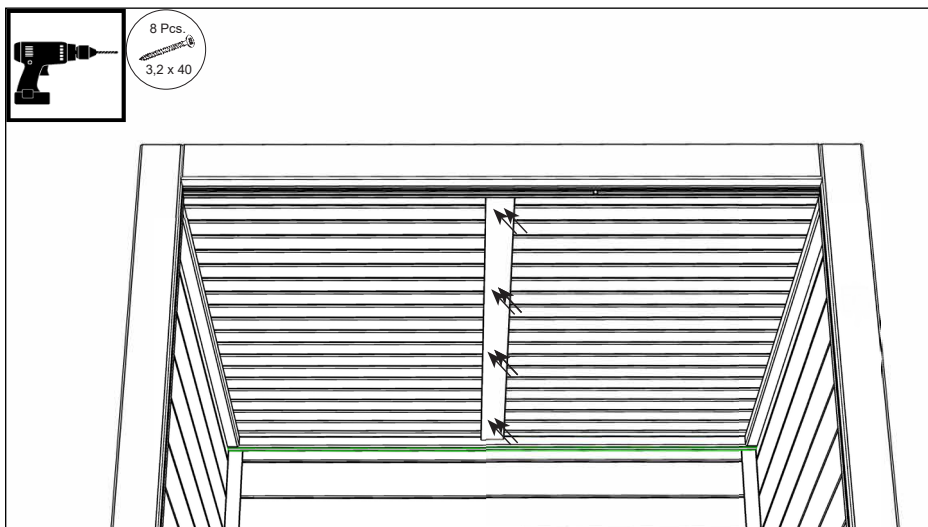
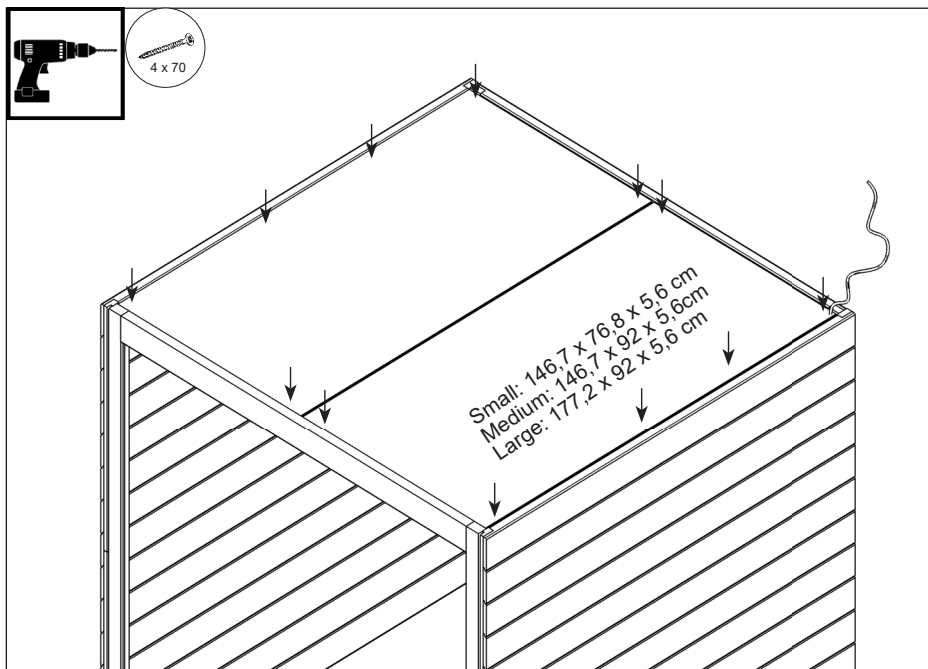
Small: 154,5 x 4 x 4 cm - LED
Medium: 185 x 4 x 4 cm - LED
Large: 185 x 4 x 4 cm - LED

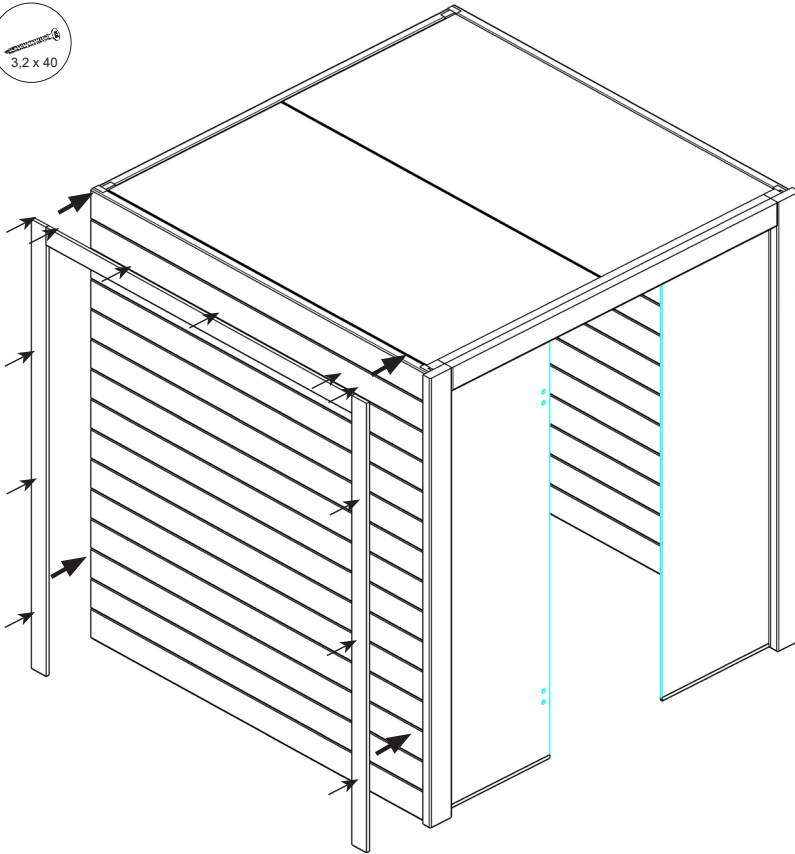


Small: 138,5 x 4 x 4 cm
Medium: 138,5 x 4 x 4 cm
Large: 169 x 4 x 4 cm

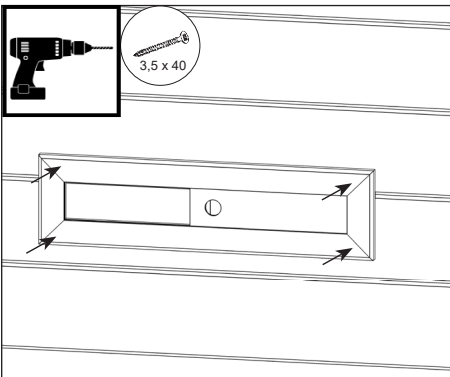
Small: 154,5 x 4 x 4 cm
Medium: 185 x 4 x 4 cm
Large: 185 x 4 x 4 cm

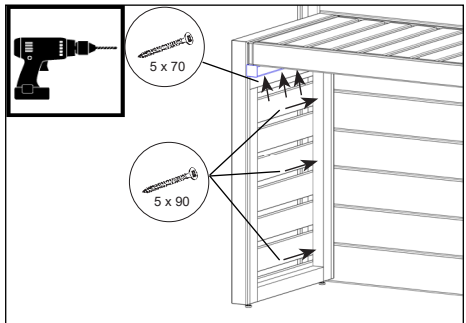
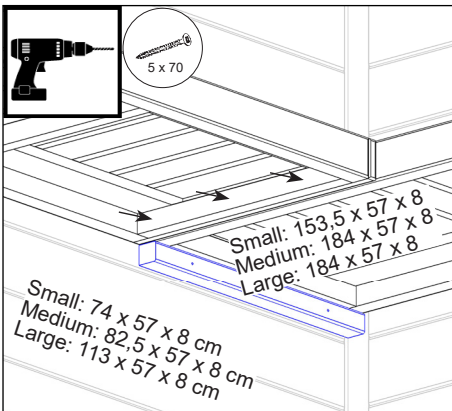
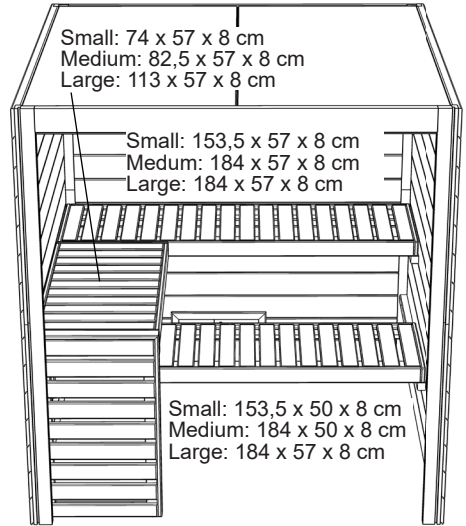
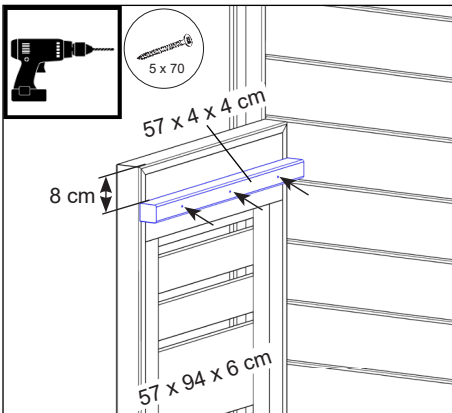
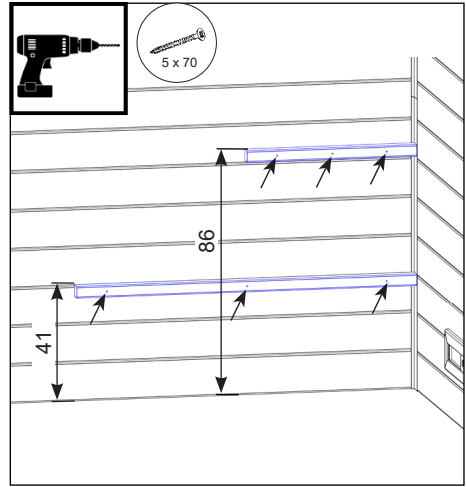
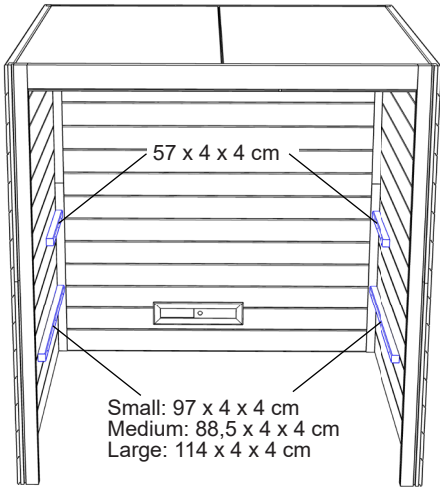




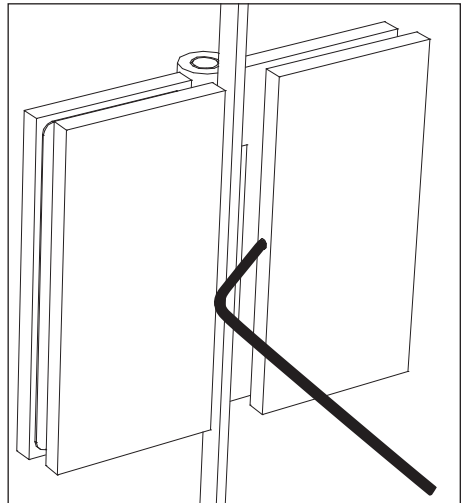
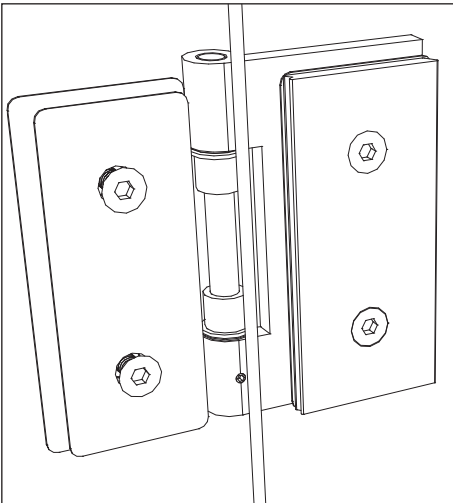
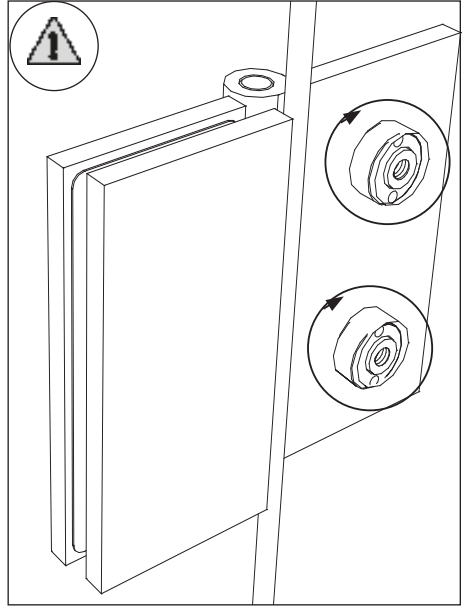
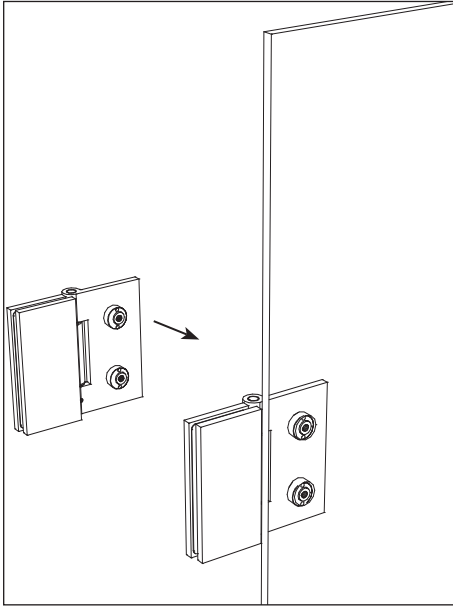


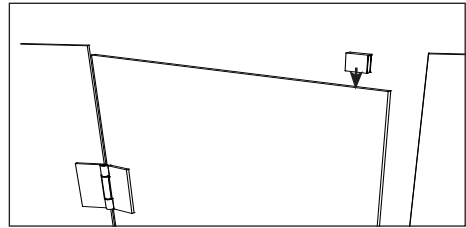
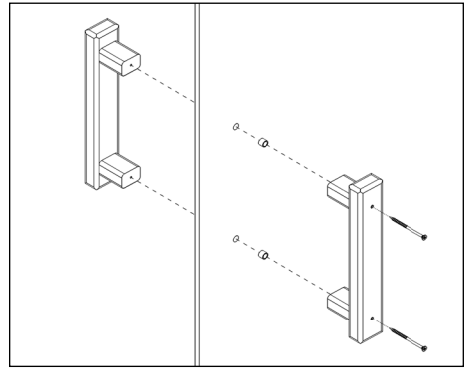
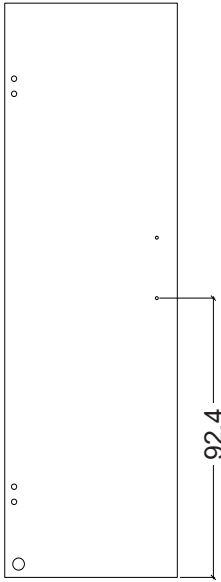
6.5.



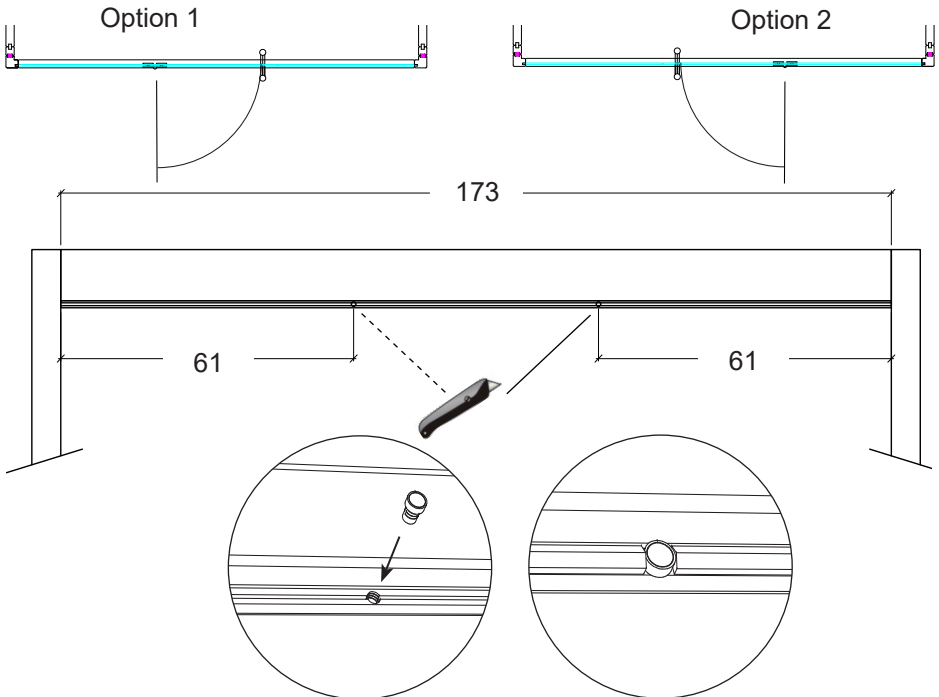


6.6.

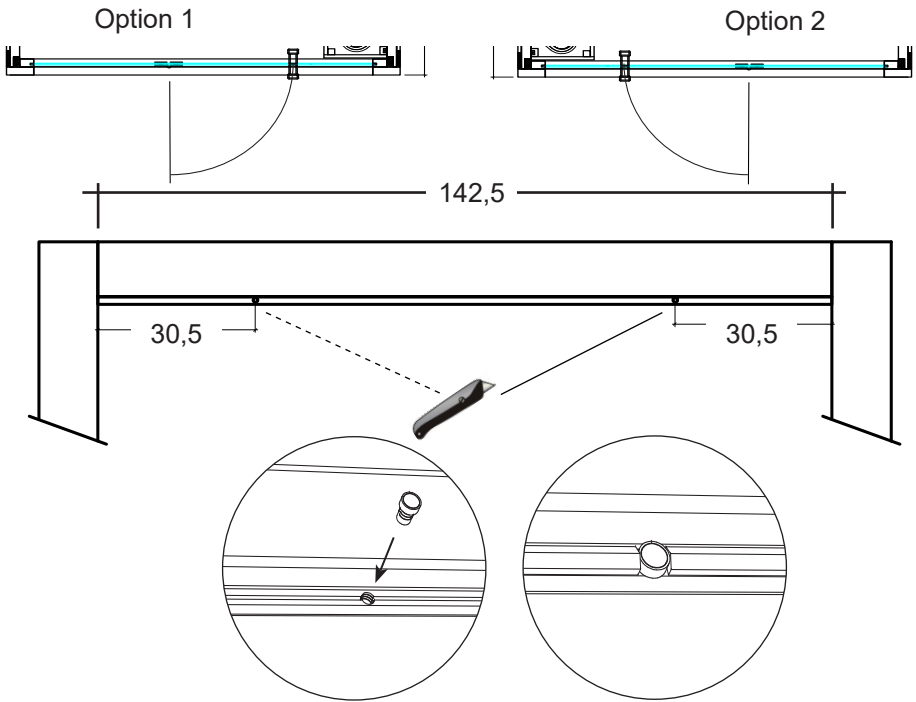


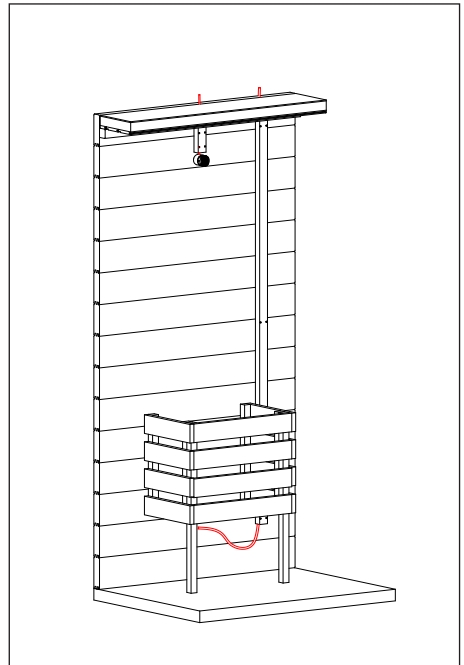
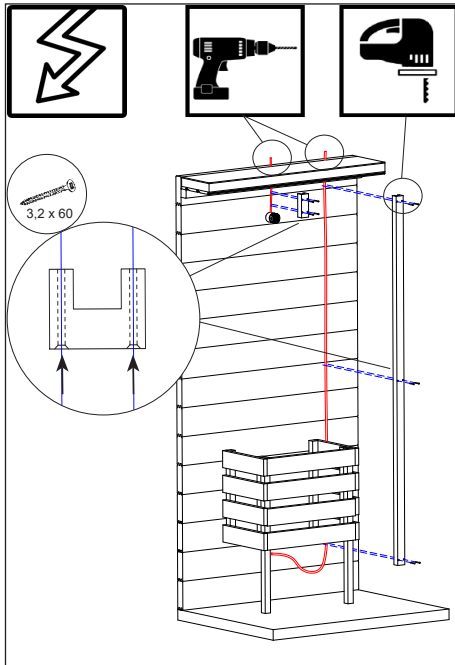
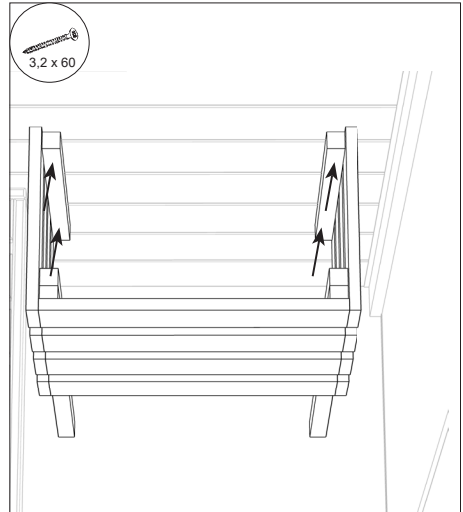
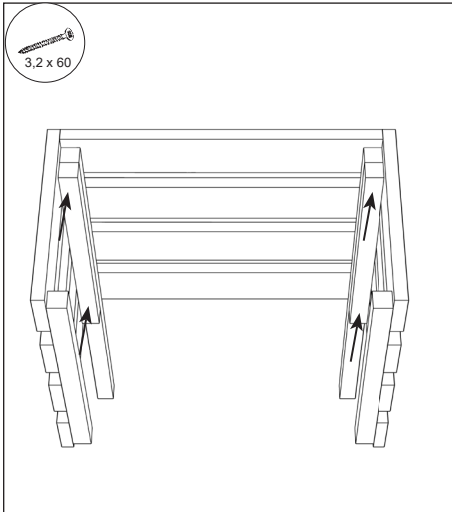


Family Medium / Family Large



Family Small





Let's sauna.



@harviaglobal

GLOBAL

Harvia Finland
Teollisuustie 1-7
40951 Muurame
FINLAND
T +358 207 464 000
harvia@harvia.com

CENTRAL EUROPE

Harvia Austria GmbH
Wartenburger Straße 31
4840 Vöcklabruck
AUSTRIA
T +43 (0) 7672 22 900-50
info@harvia.com